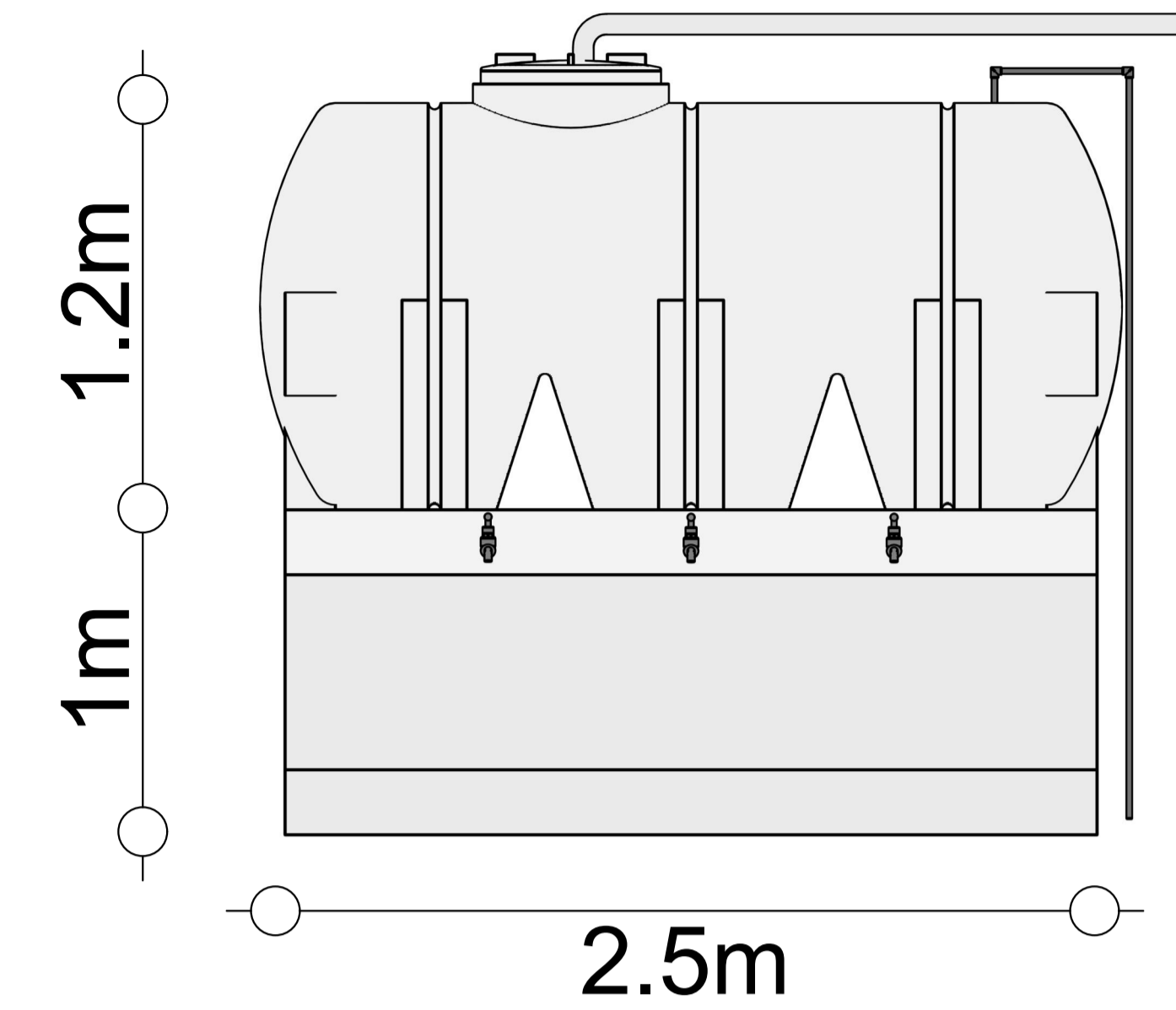
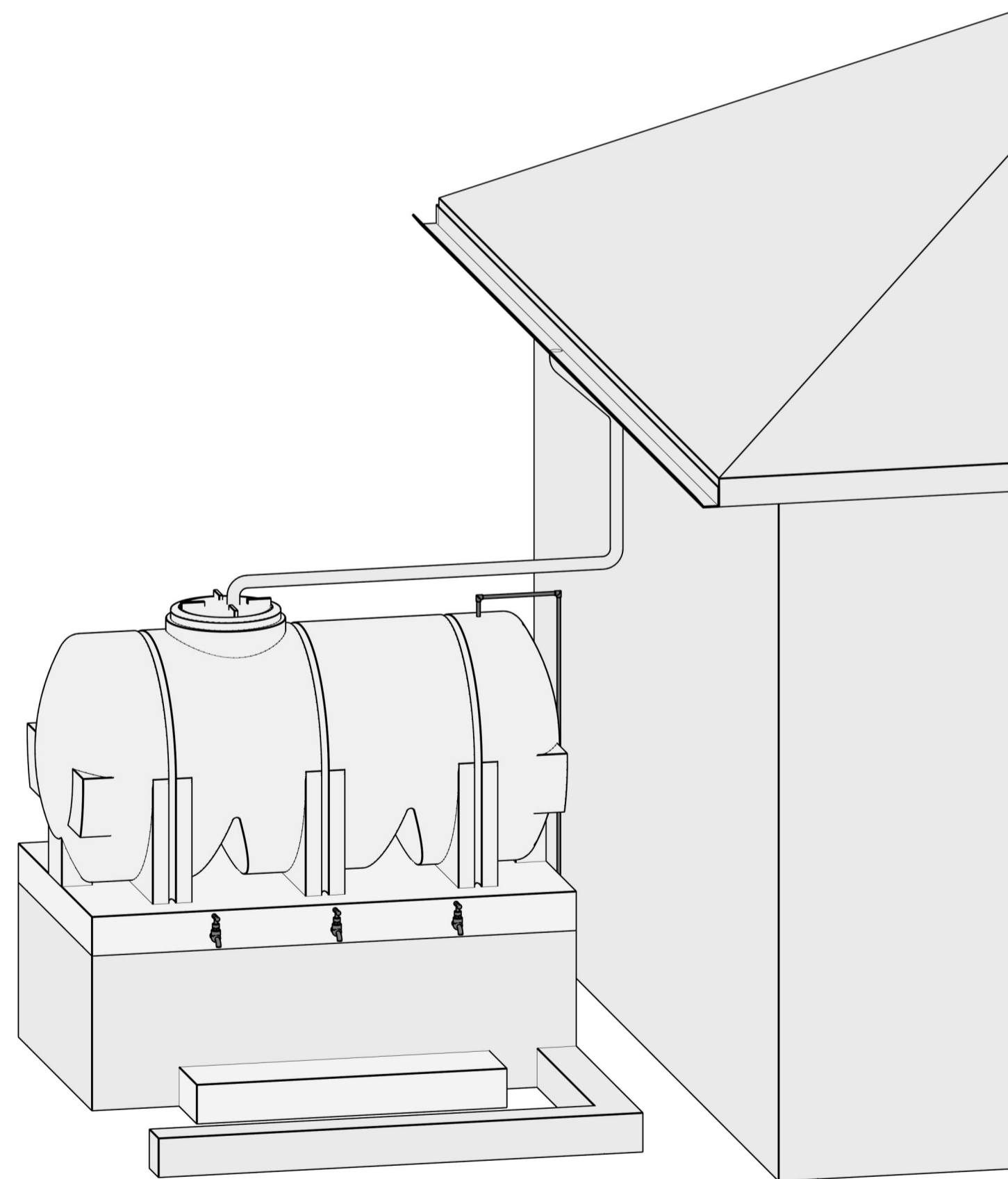


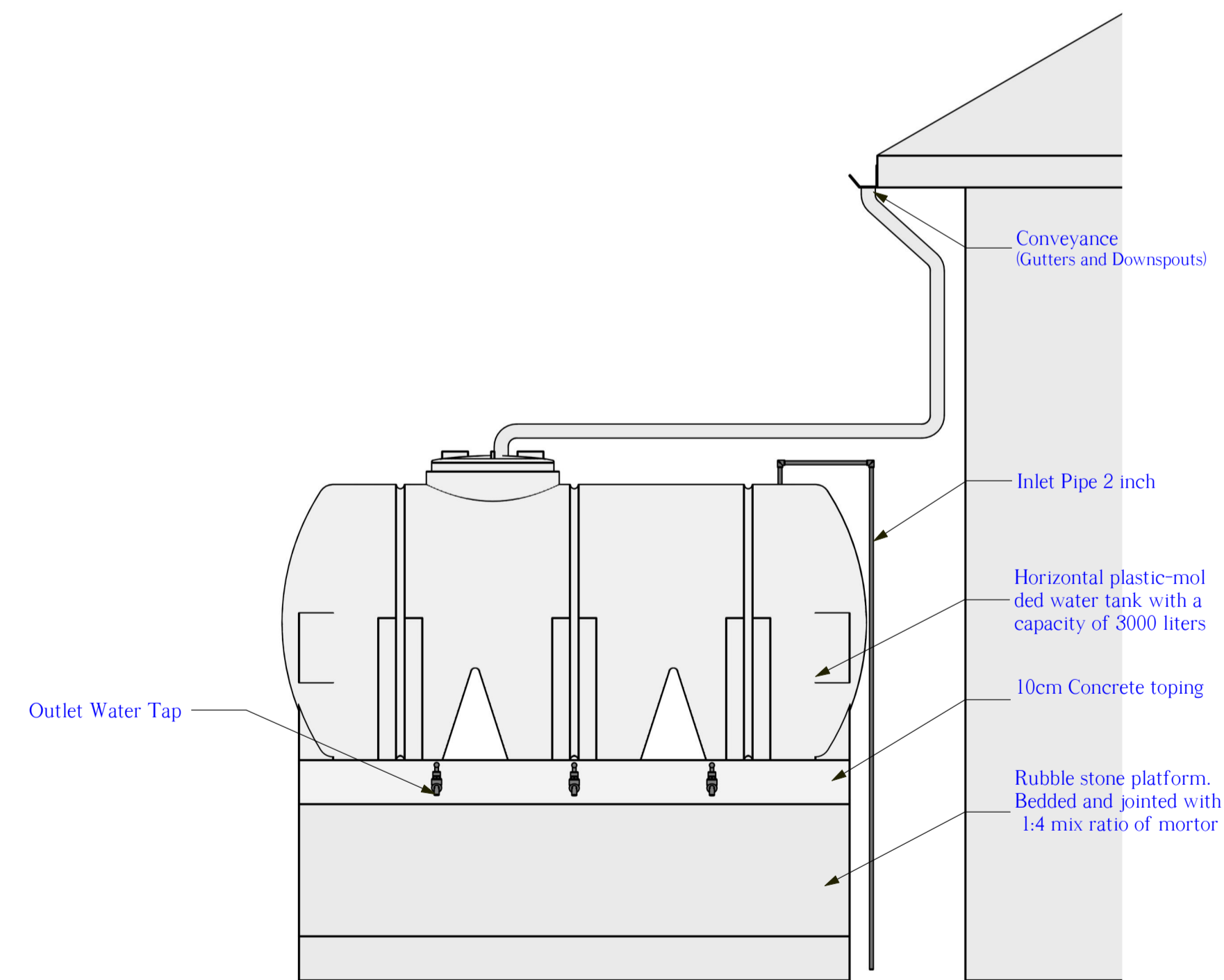
2 Plan 1:48.50



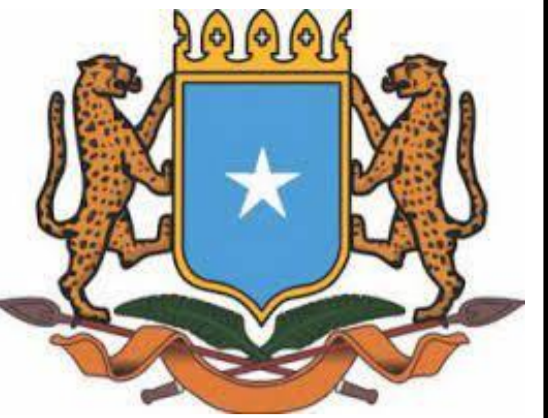
1 Front View 1:13.83



3 3D 1:27.92



4 Elevation View 1:16.80



FGS
Federal Government of Somalia



Galmudug State of Somalia



SAVE THE CHILDREN
Somalia Program



GLOBAL PARTNERSHIP FOR EDUCATION

PROGRAM:
GLOBAL PARTNERSHIP FOR EDUCATION
FEDERAL SYSTEM TRANSFORMATION
GRANT (GPE STG)

Project:
Construction of Water Tank

Designed by: AbdiKani_Program Engineer
Reviewed by: AbdiShakur_Area Infrastructure Engineer
Approved by: Kaise_Construction T. Specialist

# of Revisions		
#	Description	Date
1		
2		
3		

Wednesday, April 9, 2025

SHEET TITLE
Ground Water Tank