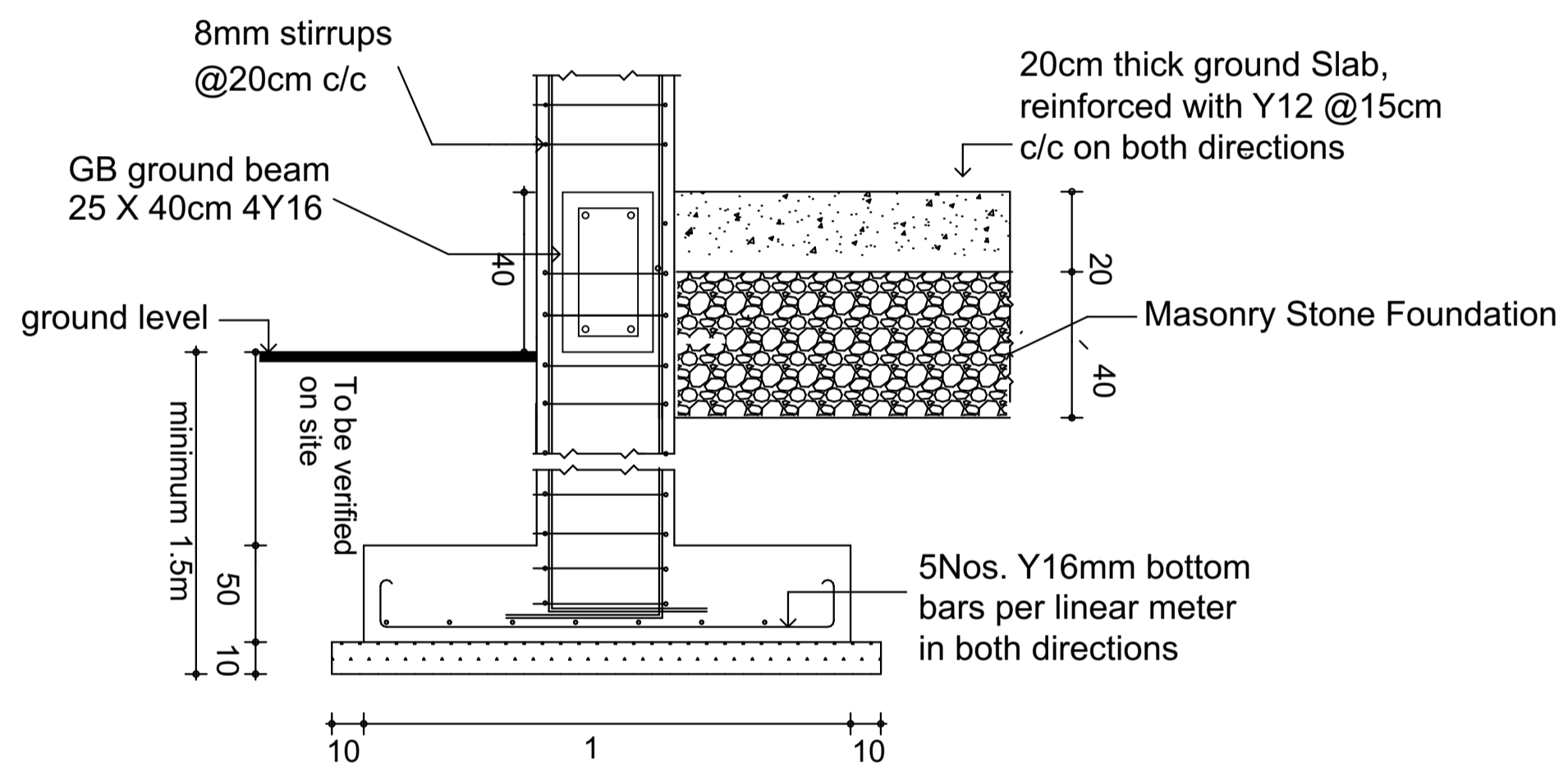
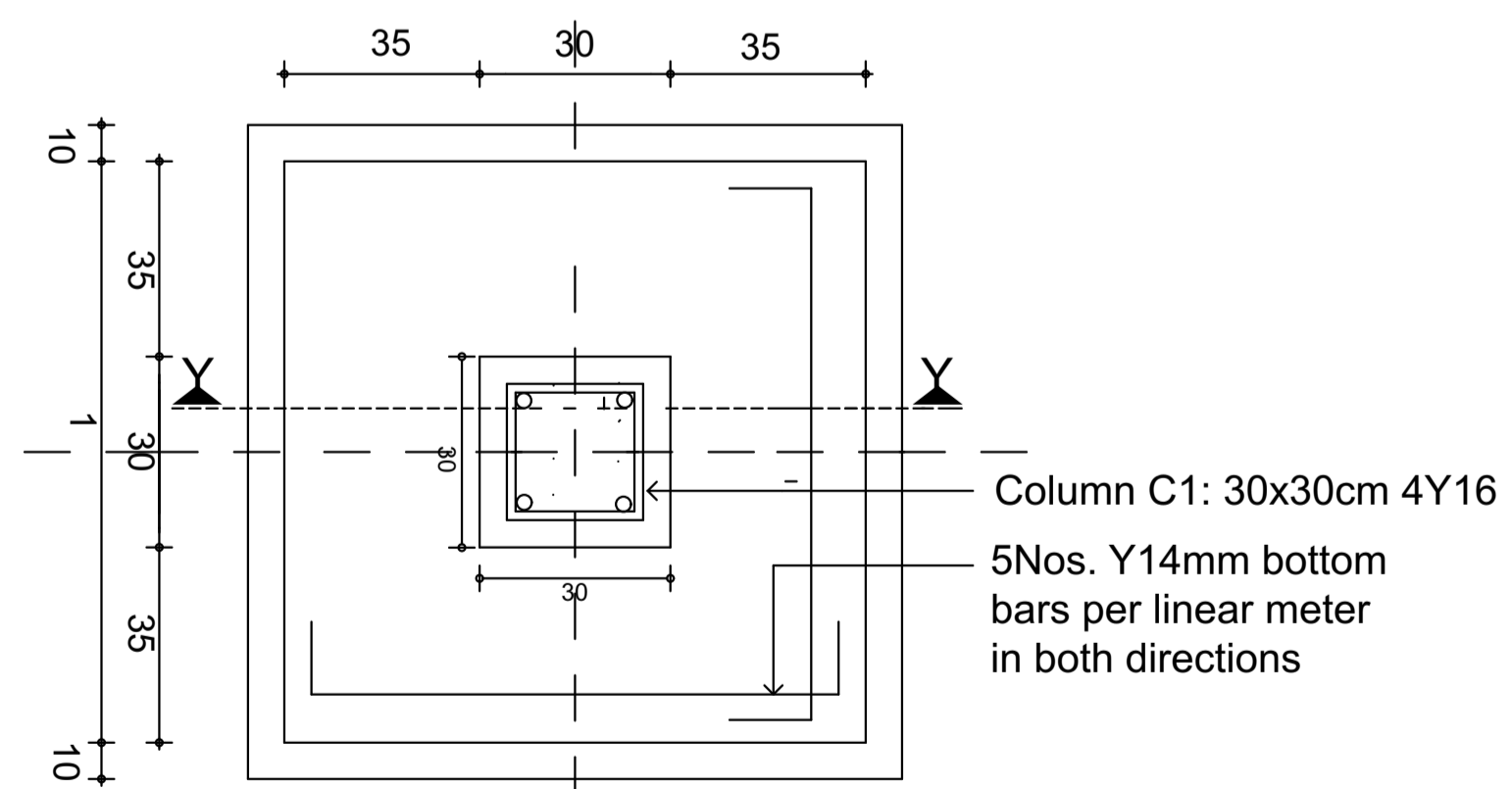


4 Ground Level 1:54.59

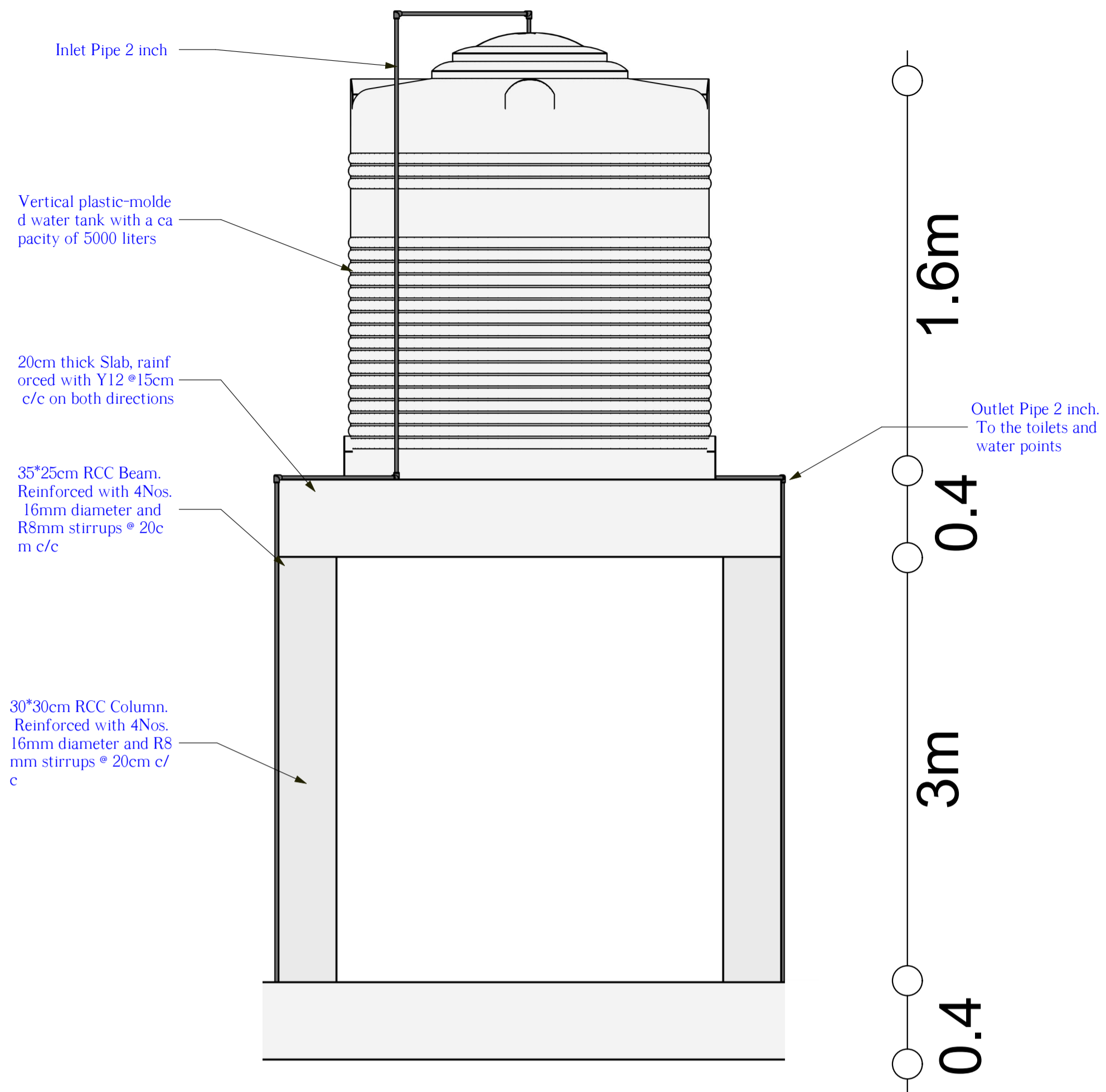


Section Y-Y scale 1:25

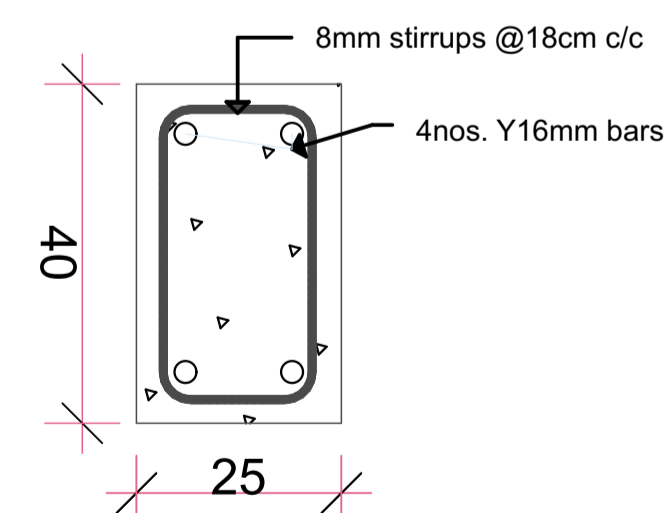
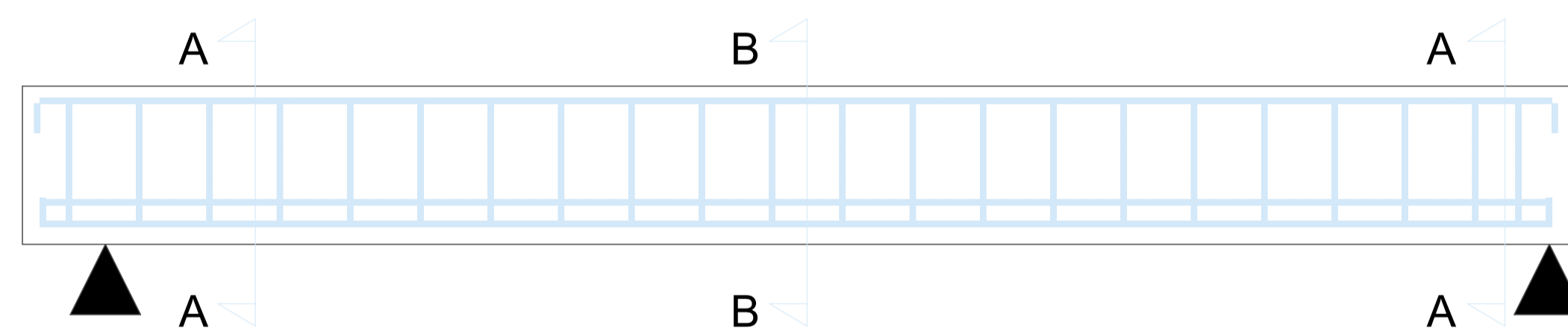


Typical Footing plan scale 1:25

1 Footing Detail 1:13.60



2 Elevation 1:14.95



Section B-B

Typical beam detail

3 Beam Detail 1:38.64



FGS 1:1.02

Federal Government of Somalia

State Name and Logo



SAVE THE CHILDREN  
Somalia Program



GLOBAL PARTNERSHIP FOR EDUCATION

PROGRAM:

GLOBAL PARTNERSHIP FOR EDUCATION  
FEDERAL SYSTEM TRANSFORMATION  
GRANT (GPE STG)

Project:

Construction of Water Tank

Designed by: AbdiKani\_Program Engineer  
Reviewed by: AbdiShakur\_Area Infrastructure Engineer  
Approved by: Kaise\_Construction T. Specialist

# of Revisions		
#	Description	Date
1		
2		
3		

Sunday, April 6, 2025

SHEET TITLE

Elevated Water Tank



FGS 1:1.02

Federal Government of Somalia

State Name and Logo



SAVE THE CHILDREN  
Somalia Program



GLOBAL PARTNERSHIP FOR EDUCATION

PROGRAM:

GLOBAL PARTNERSHIP FOR EDUCATION  
FEDERAL SYSTEM TRANSFORMATION  
GRANT (GPE STG)

Project:

Construction of Water Tank

Designed by: AbdiKani\_Program Engineer

Reviewed by: AbdiShakur\_Area Infrastructure Engineer

Approved by: Kaise\_Construction T. Specialist

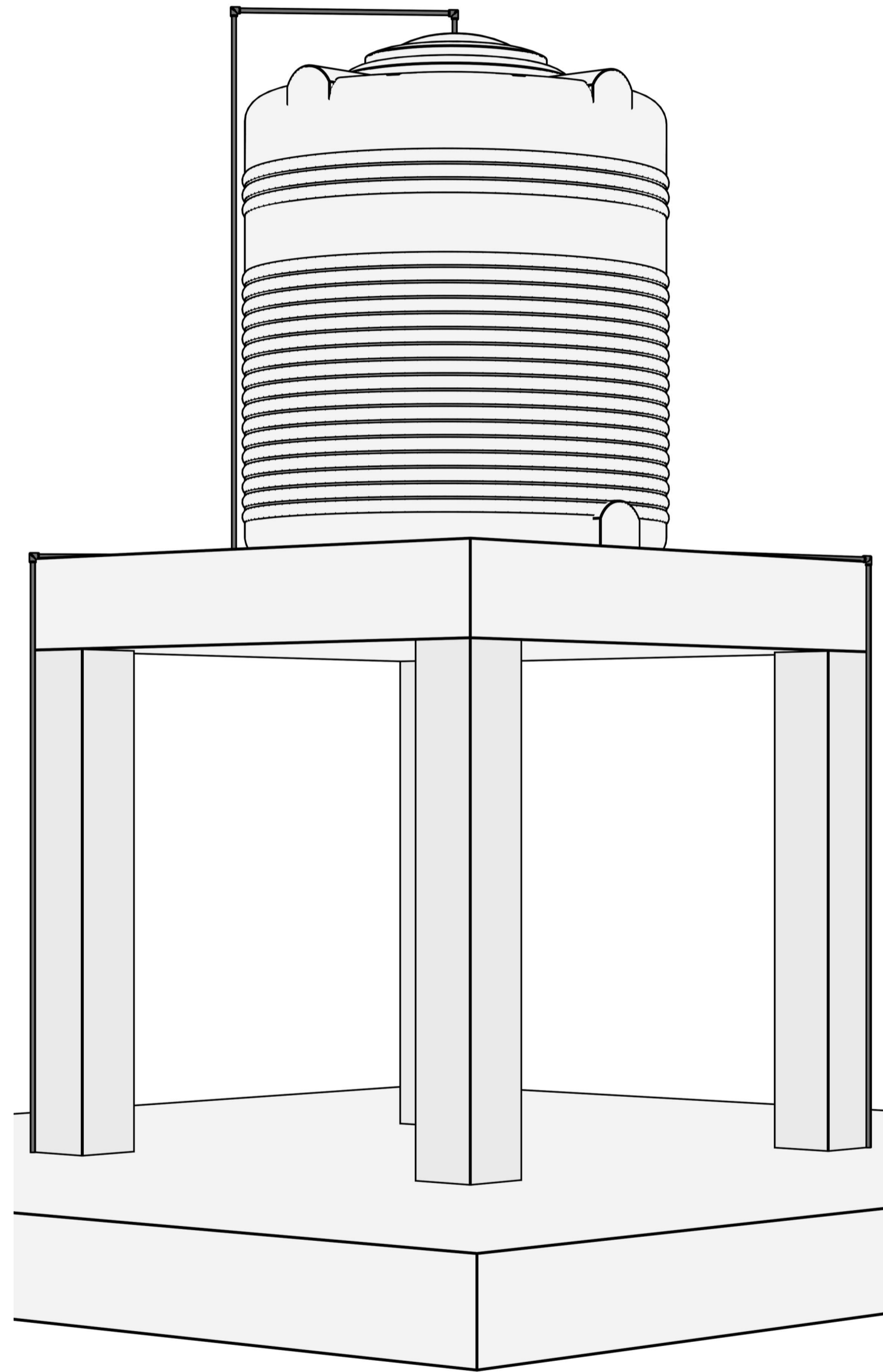
# of Revisions

#	Description	Date
1		
2		
3		

Sunday, April 6,  
2025

SHEET TITLE

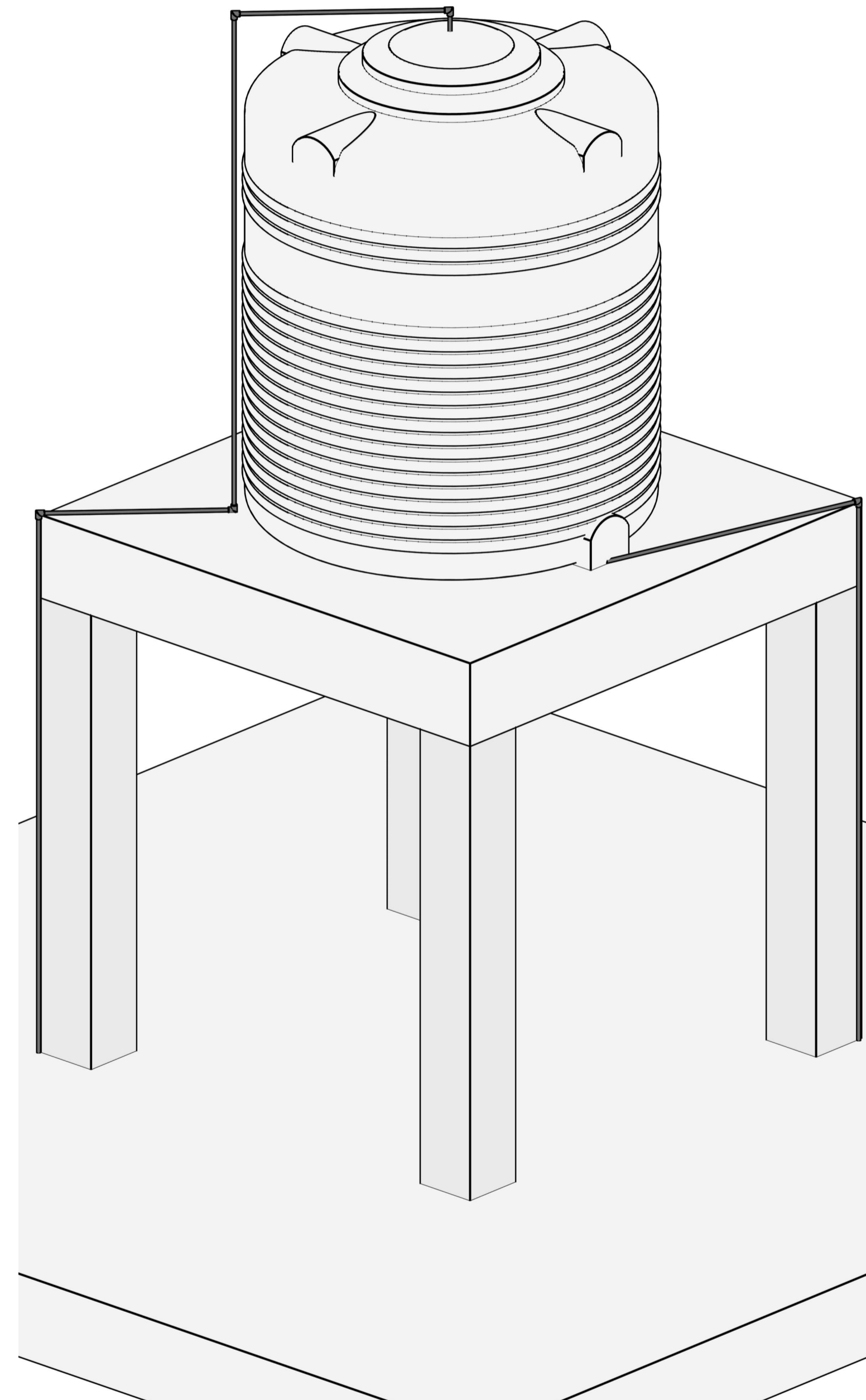
Elevated Water  
Tank



1

3D view

1:18.76



2

3D View

1:16.36