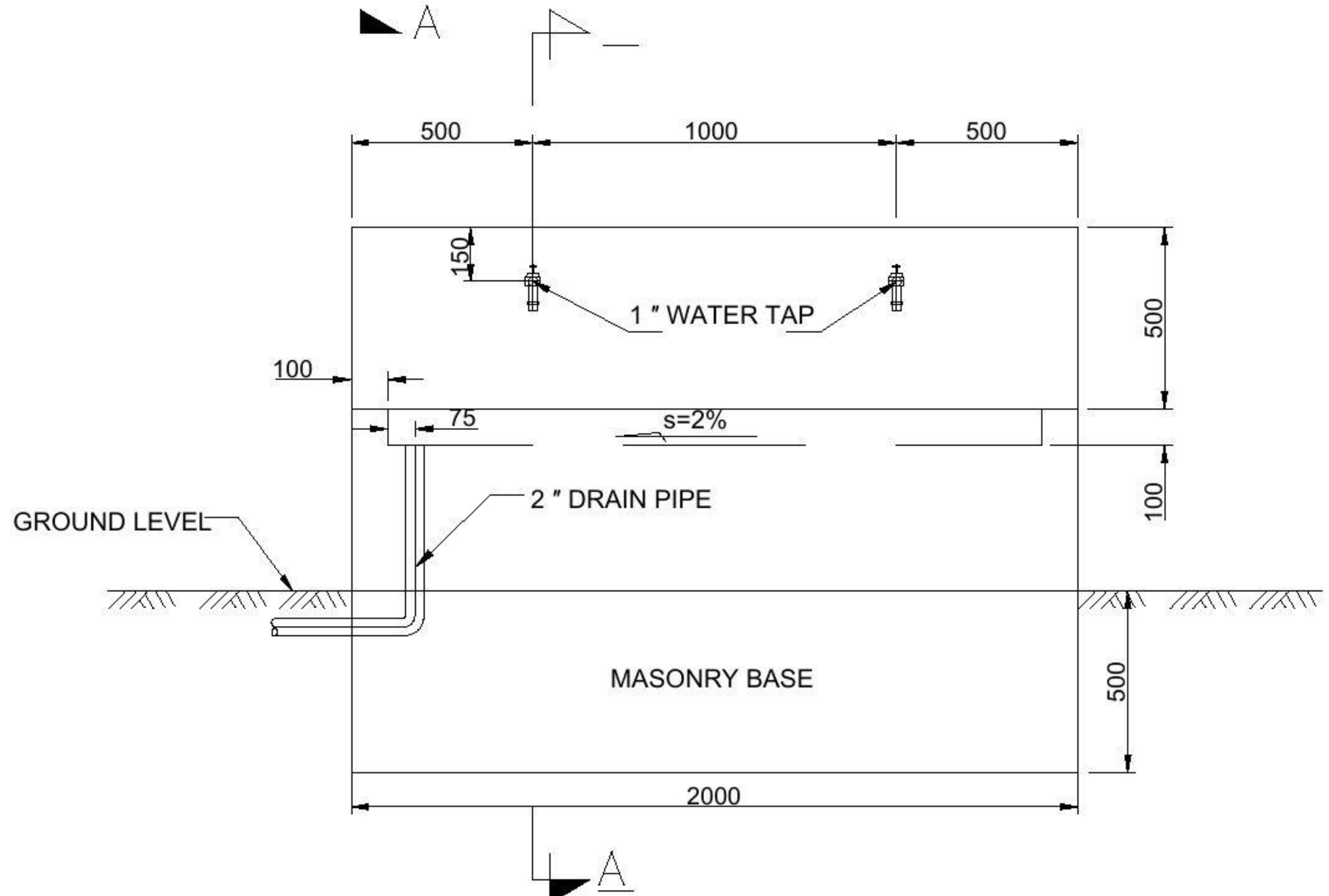
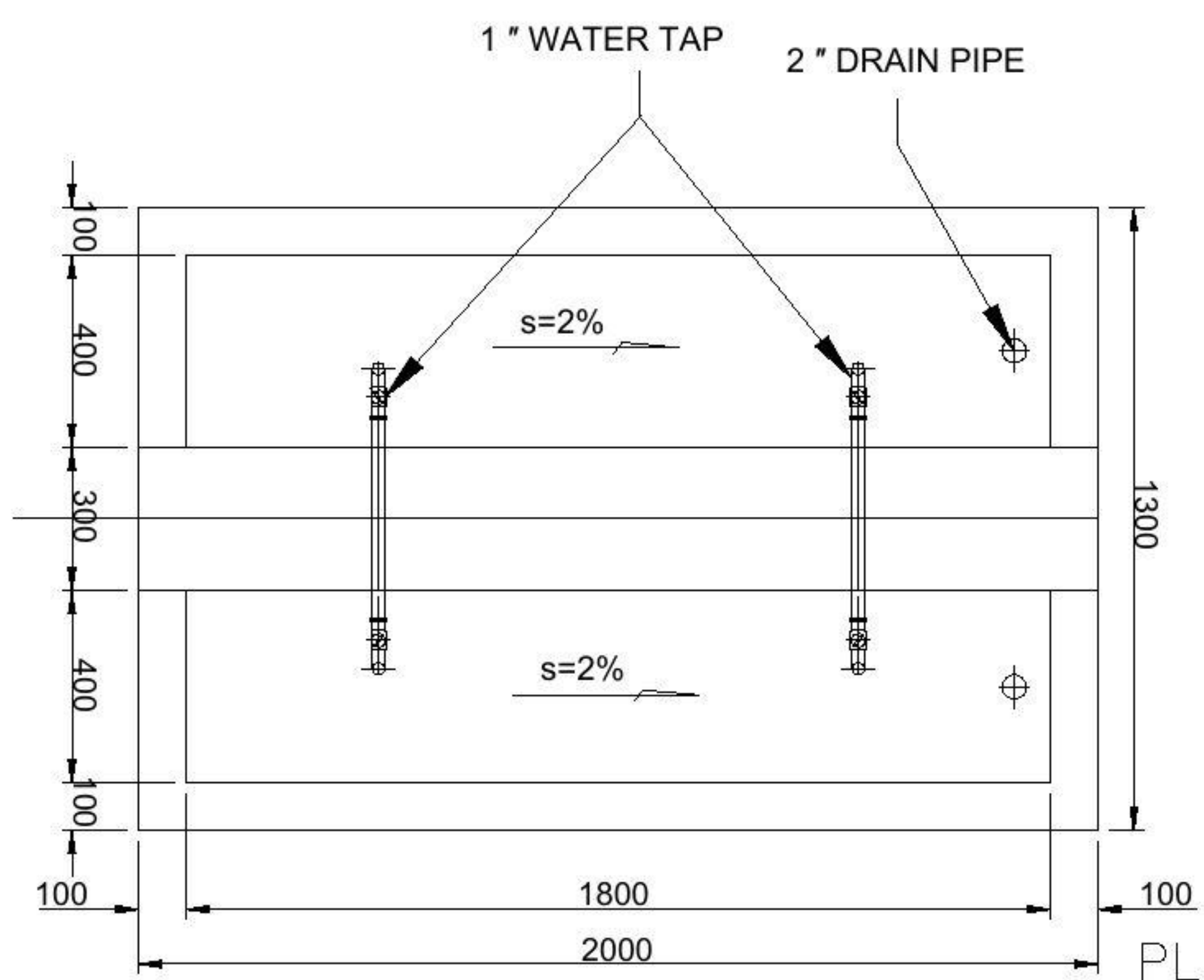


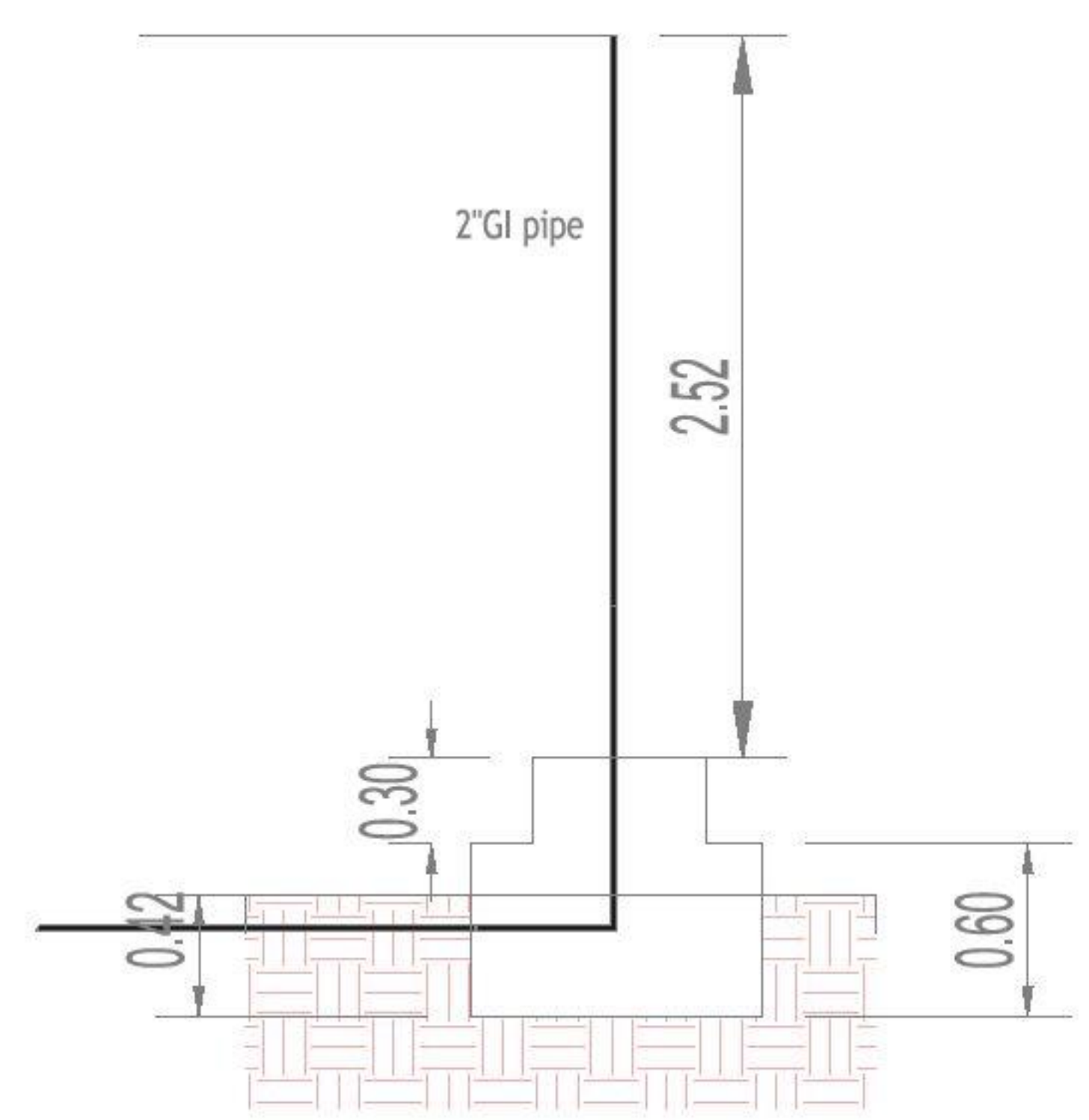
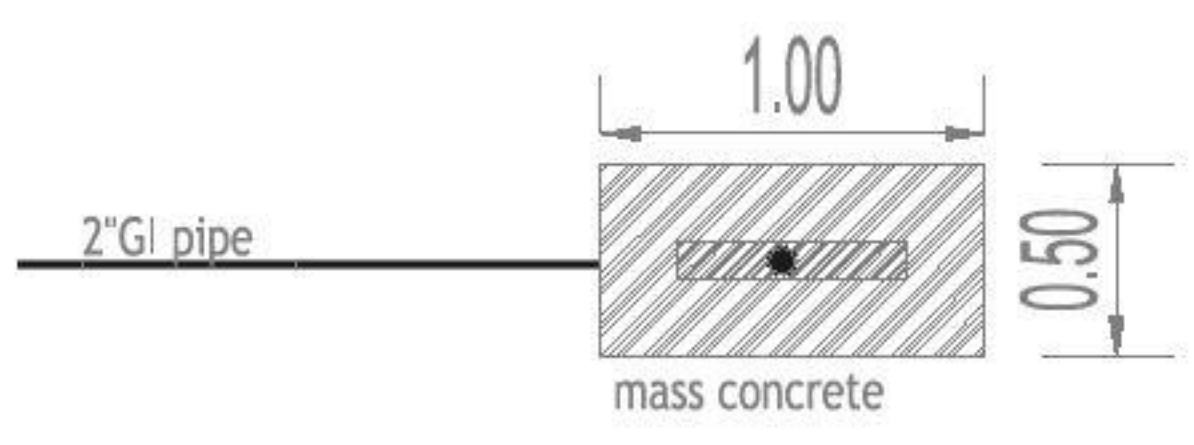
SECTION A-A  
SCALE 1:20



FRONT VIEW  
SCALE 1:20



PLAN  
SCALE 1:20



GENERAL NOTES

- 1-ALL DIMENSIONS AND LEVELS ARE SHOWN HEREIN ARE IN METERS UNLESS OTHERWISE NOTED.
- 2-FOLLOW DIMENSIONS INDICATED ON THE DRAWING.
- 3-THIS DRAWING IS TO BE READ IN CONJUNCTION WITH ALL OTHER ENGINEERING DRAWINGS, SUCH AS STRUCTURAL & MEP DWGS.
- 4-ALL STRUCTURAL ELEMENTS SHOULD BE COORDINATED WITH STRUCTURAL DRAWINGS.
- 5-ALL MECHANICAL AND ELECTRICAL ELEMENTS AND REQUIREMENTS SHOULD BE COORDINATED WITH ELECTRO MECHANICAL DRAWINGS.
- 6-ALL DIMENSIONS ARE SHOWN HEREIN REFER TO MASONRY NOT TO FINISHING LEVELS.
- 7-All pipes inside the wall should be fully covered with concrete to avoid any damage

PROJECT NAME:  
DACARBUDHUQ EARTH DAM FEASIBILITY STUDY

DRAWING TITLE:  
WATER POINT

DESIGNED BY:  
ENGR. AHMED FARHAN FARAH

APPROVED BY:  
ENGR. AHMED JAMAC BARRE

DATE:  
4/17/2024

CLIENT:



DESIGN/DRAWN:  
NASRI CONSULTANCY FIRM  
BLOCK 5, BROTHERS BUILDING, 2ND FLOOR, SHEIKH OSMAN, BORAMA, AWDAL, SOMALILAND

DESCRIPTION:	BY:	DATE:
Dacar-Budhuq Hafir Dam	ENGR. AFF	4/17/2024

PROJECT NO:  
N.C.F - PR# 0010

SCALE:  
1:50

SHEET SIZE:  
A1

DRAWING NO:  
S110

SHEET NO:  
29

REVISION:  
1

METERS