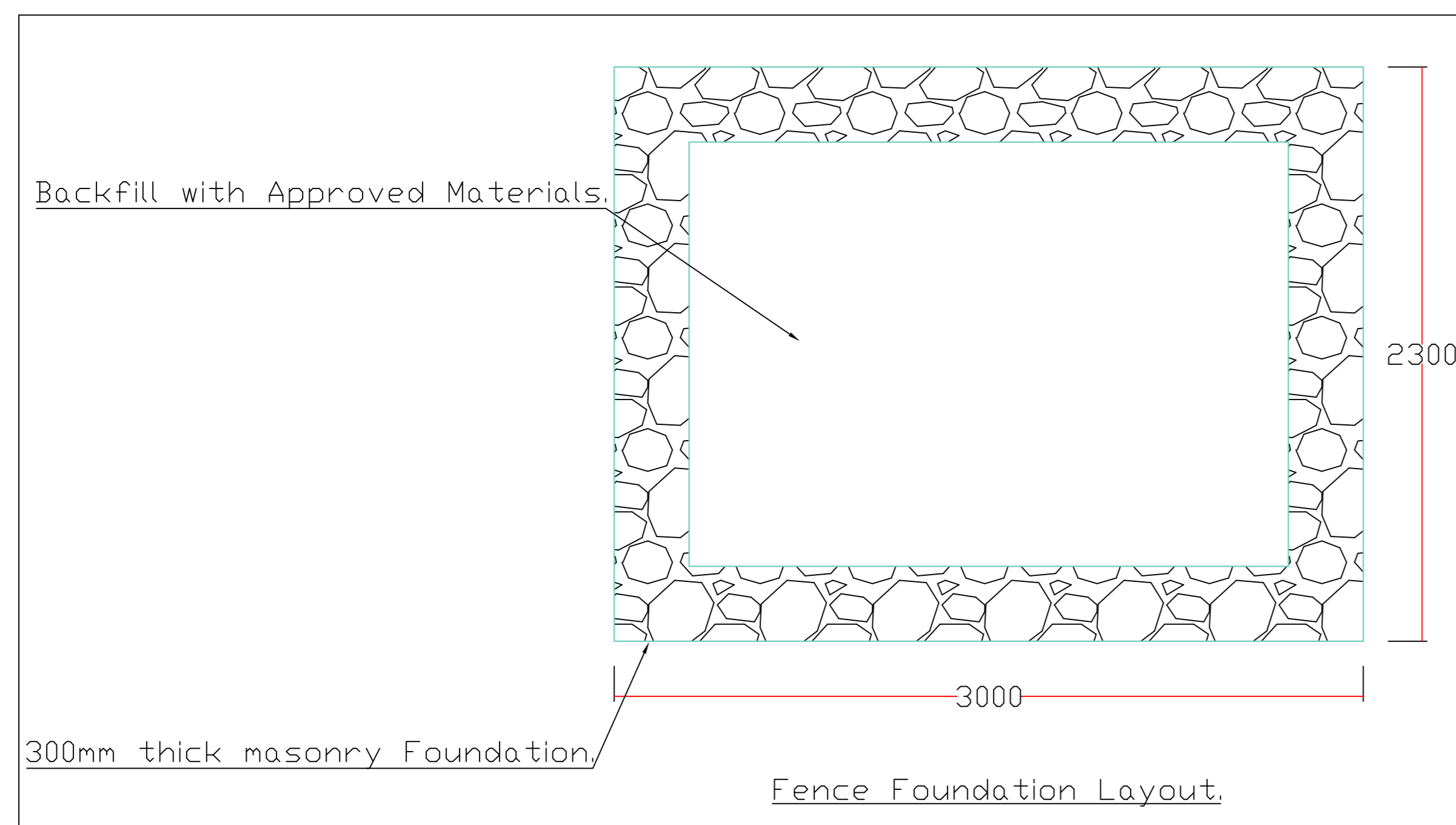
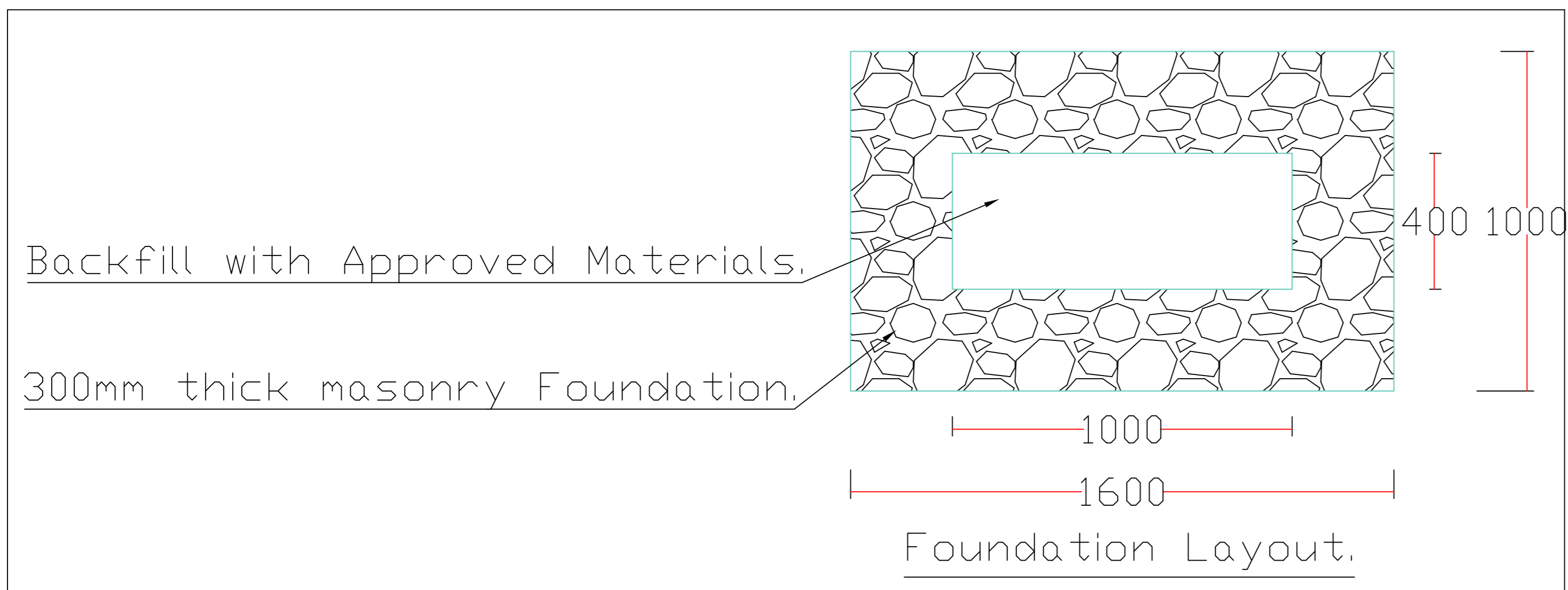


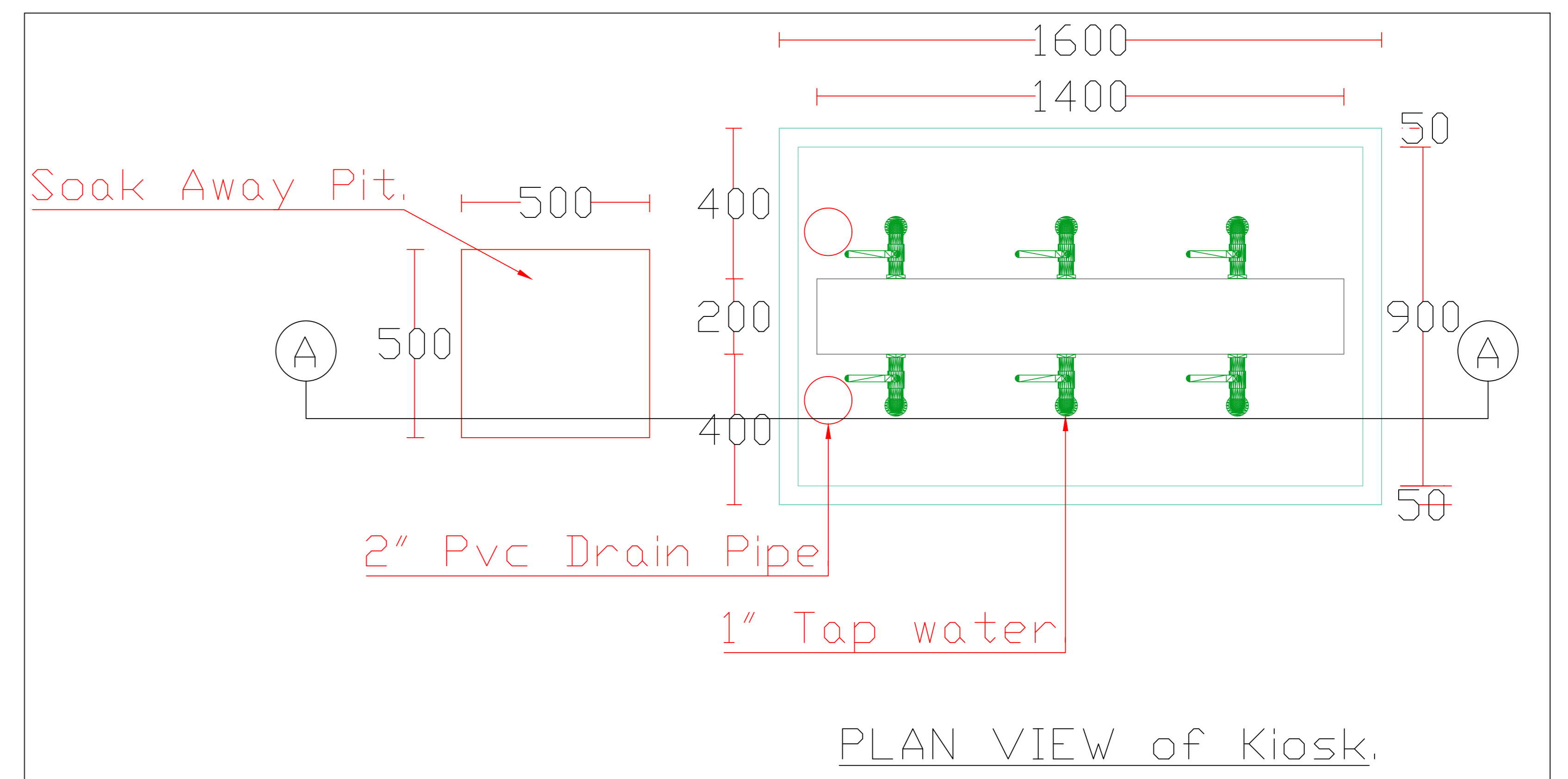
PLAN VIEW of Kiosk with Fence.



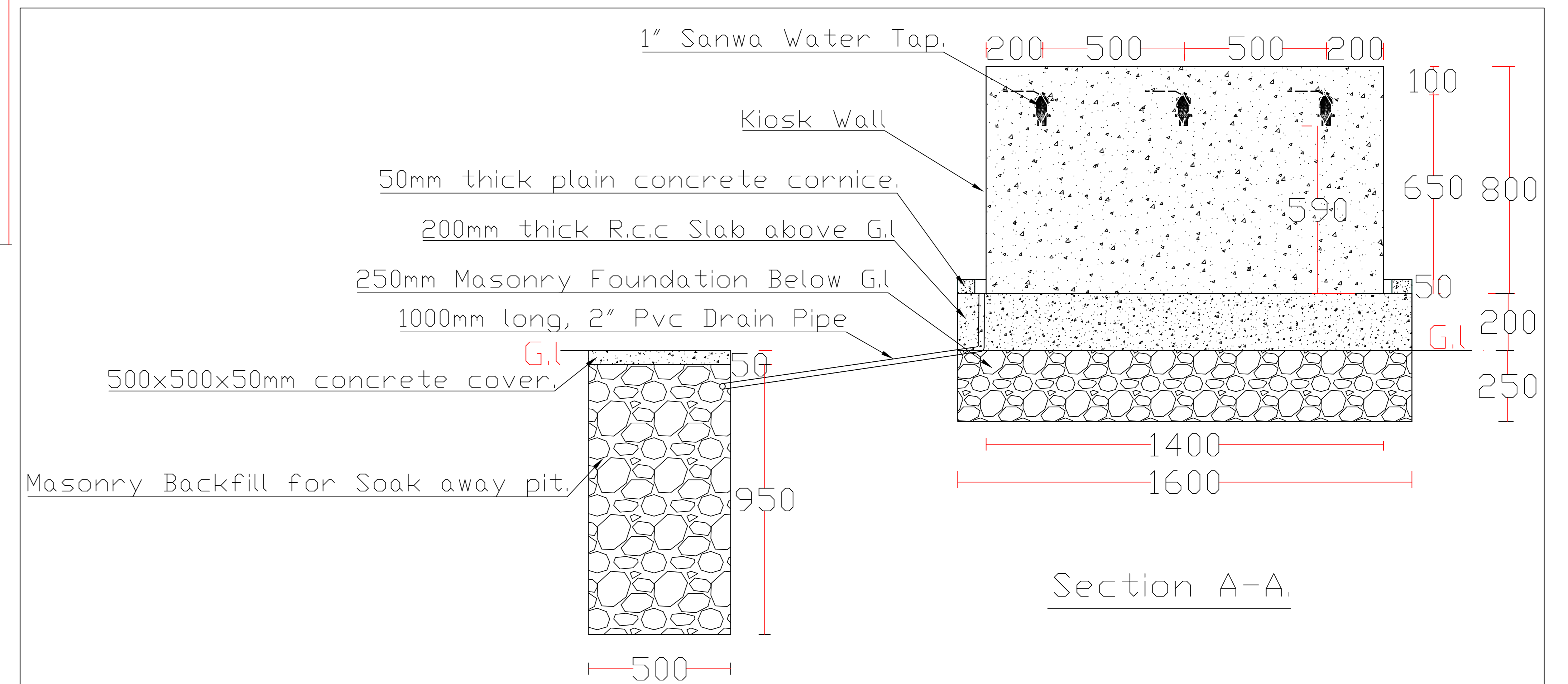
Fence Foundation Layout.



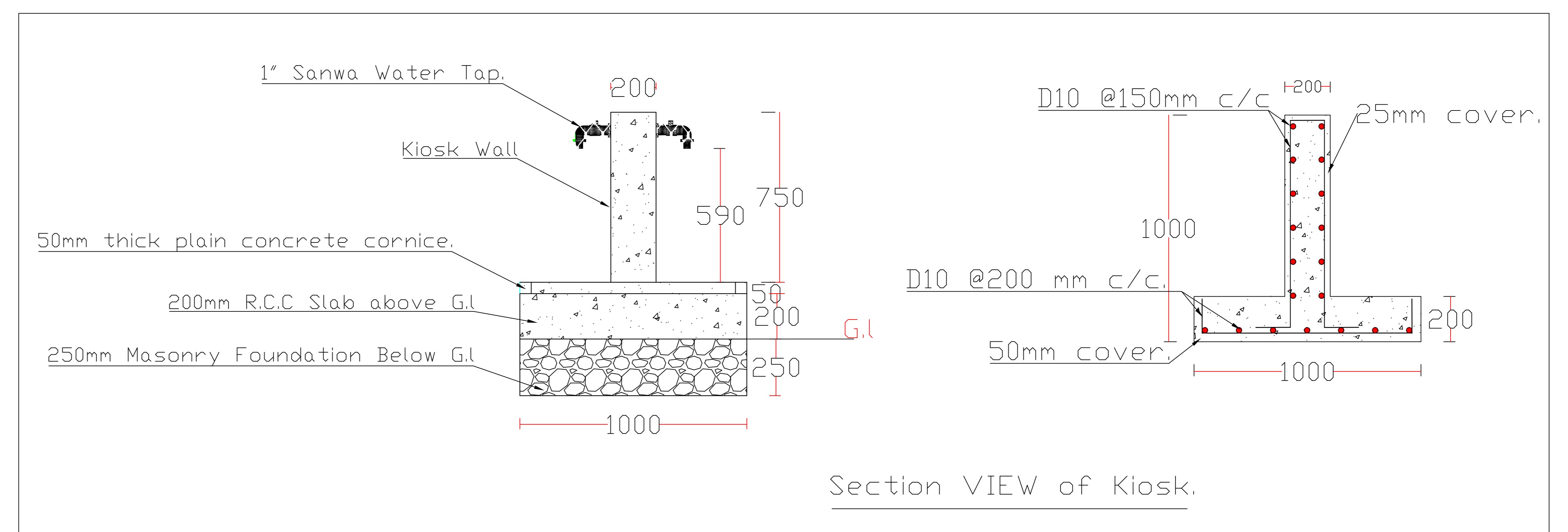
Foundation Layout.



PLAN VIEW of Kiosk.



Section A-A.

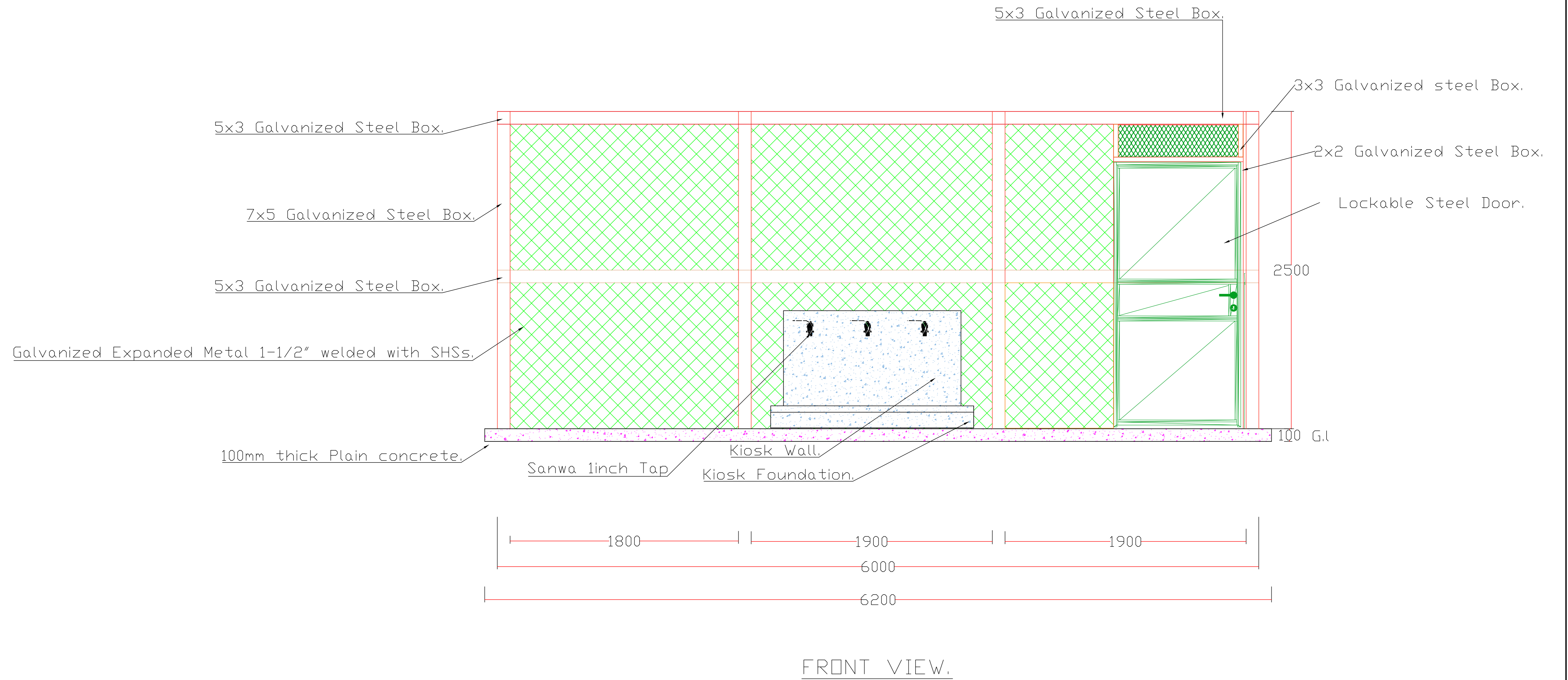
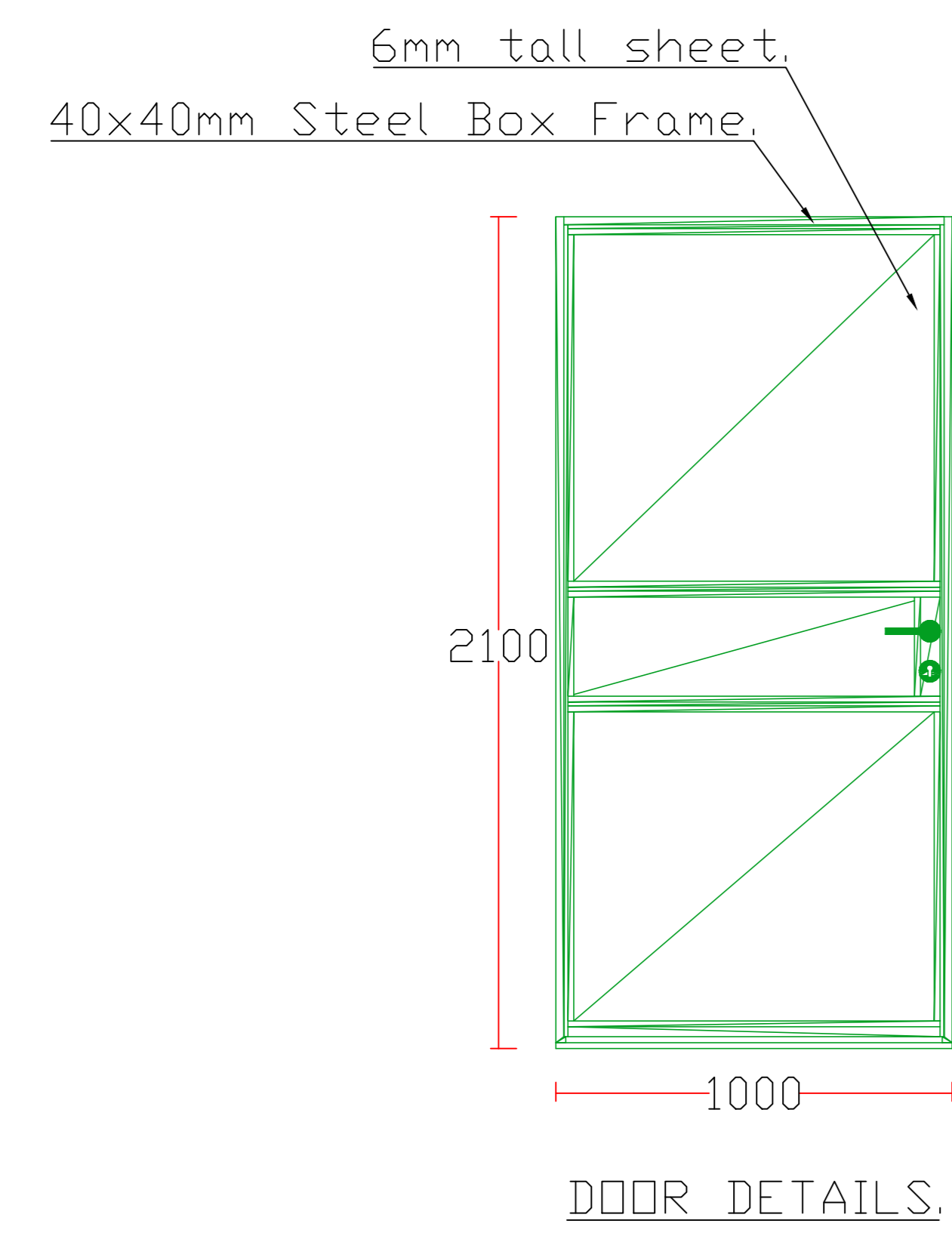
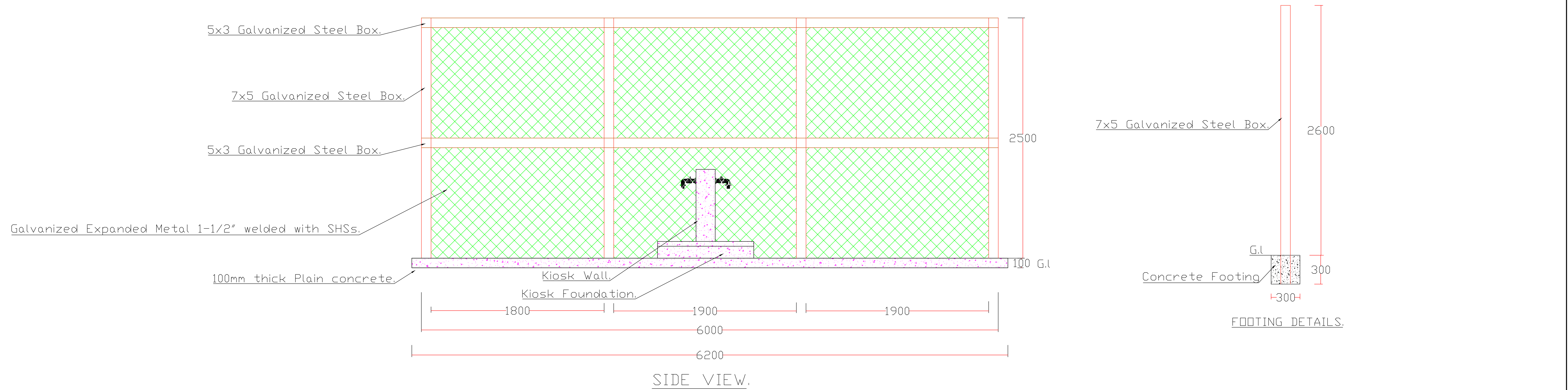


Section VIEW of Kiosk.

Notes

- All dimensions are in mm unless otherwise specified. This drawing to be read in conjunction with all other relevant drawings.
- Drawings are not to be scaled.
- The contractor must check and verify all dimensions on site before commencement on any work.
- Kiosk Wall should be Reinforced concrete with a mix ratio of 1:2:4 with a cover of 25mm for wall while masonry foundation ratio is 1:3, use 1:2:4 ratio for plain concrete of floor.

Organization	Project	Location	Drawing Title	DRG. NO	Drawn by	Yahye Ali
World Vision	BHA	Togdher.	Water Kiosk Details.	1	Reviewed by	Yahye Omer
					Approved by	Wycliffe Owino
					Scale	As Shown
					Date	October, 2024



Notes

- All dimensions are in mm unless otherwise specified.
This drawing to be read in conjunction with all other relevant drawings.
- Drawings are not to be scaled.
- The contractor must check and verify all dimensions on site before commencement on any work.
- Kiosk Wall should be Reinforced concrete with a mix ratio of 1:2:4 with a cover of 25mm for wall while masonry foundation ratio is 1:3, use 1:2:4 ratio for plain concrete of floor.

Organization	Project	Location	Drawing Title	DRG. NO	Drawn by	Yahye Ali
World Vision	BHA	Togdher	Water Kiosk Details.	2	Reviewed by	Yahye Omer
					Approved by	Wycliffe Owino
					Scale	As Shown
					Date	October, 2024