
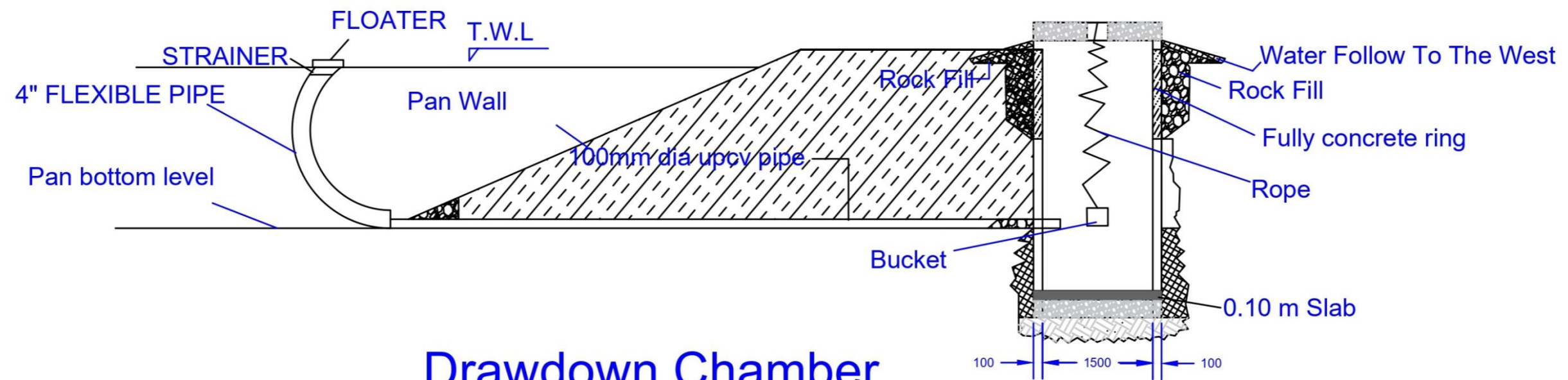


Layout Plan For Water Reservoir
Scale :1:100





2m High Chain Link
 Galvanized Fence
 BRC 7cm x 7cm,
 With 8cm Diameter
 GI Posts at 3m c/c

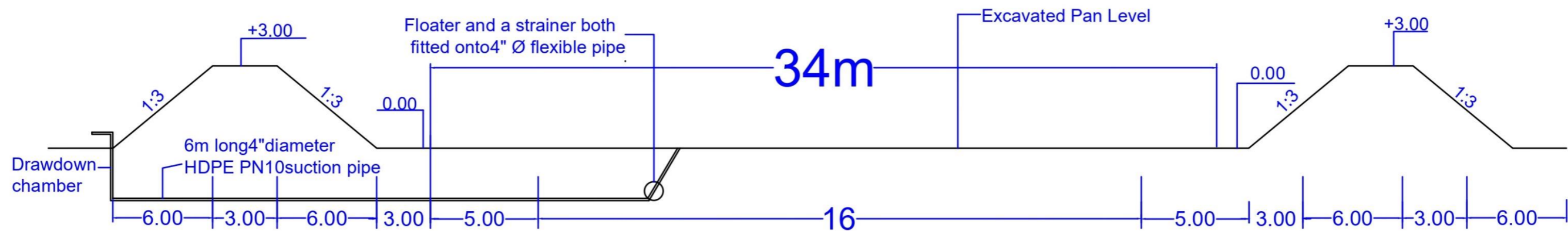
| | | | | | |
|--|--|-----------------|--------------|--------------|----------------------|
| PROJECT TITLE: | FUNDED BY: | DRAWING TITLE | SCALE: 1:100 | SHEET NO:1/4 | IMPLIMENTING PATNERS |
| PREVENTING WASTING IN MANDERA TRIANGLE (PWIWT) HANAANO |  An Roinn Gnóthaí Eachtracha agus Trádála Department of Foreign Affairs and Trade | RWC LAYOUT PLAN | DESIGNED | MAGAN | |
| | | | CHECKED | LO | |



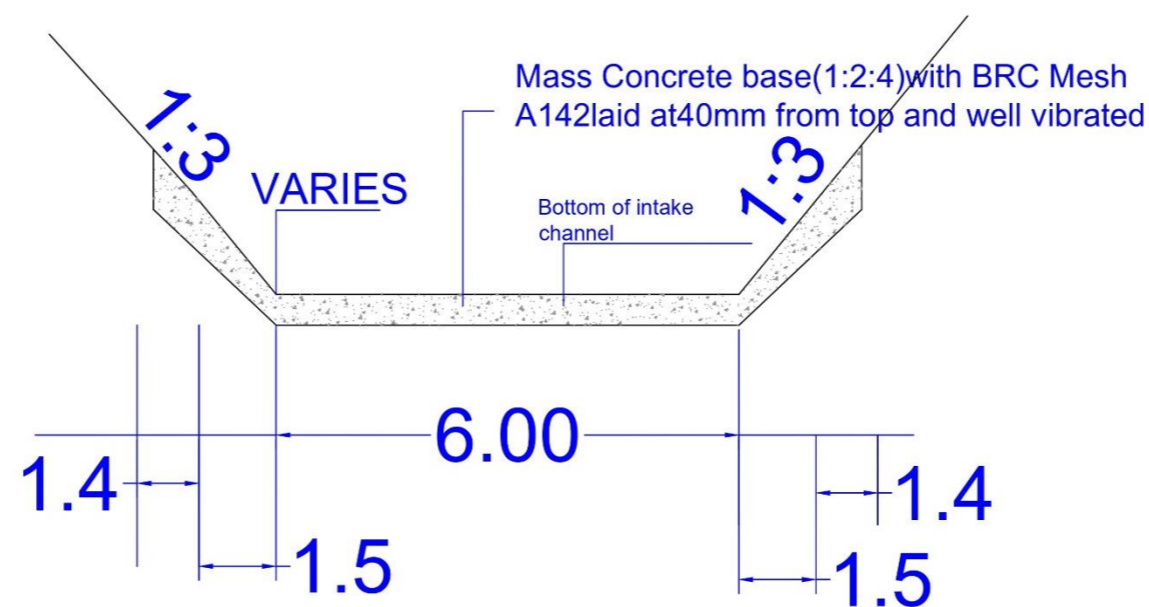


Drawdown Chamber
scale :1:100





| | | | | | |
|--|--|-----------------------------|--------------|--------------|---|
| PROJECT TITLE: | FUNDED BY: | DRAWING TITLE | SCALE: 1:100 | SHEET NO:2/4 | IMPLIMENTING PATNERS |
| PREVENTING WASTING IN MANDERA TRIANGLE (PWIWT) HANAANO |  An Roinn Cnóthai Eachtracha agus Trádála Department of Foreign Affairs and Trade | DRAWDOWN CHAMBER SECTION | DESIGNED | MAGAN |    |
| | | | CHECKED | LO | |



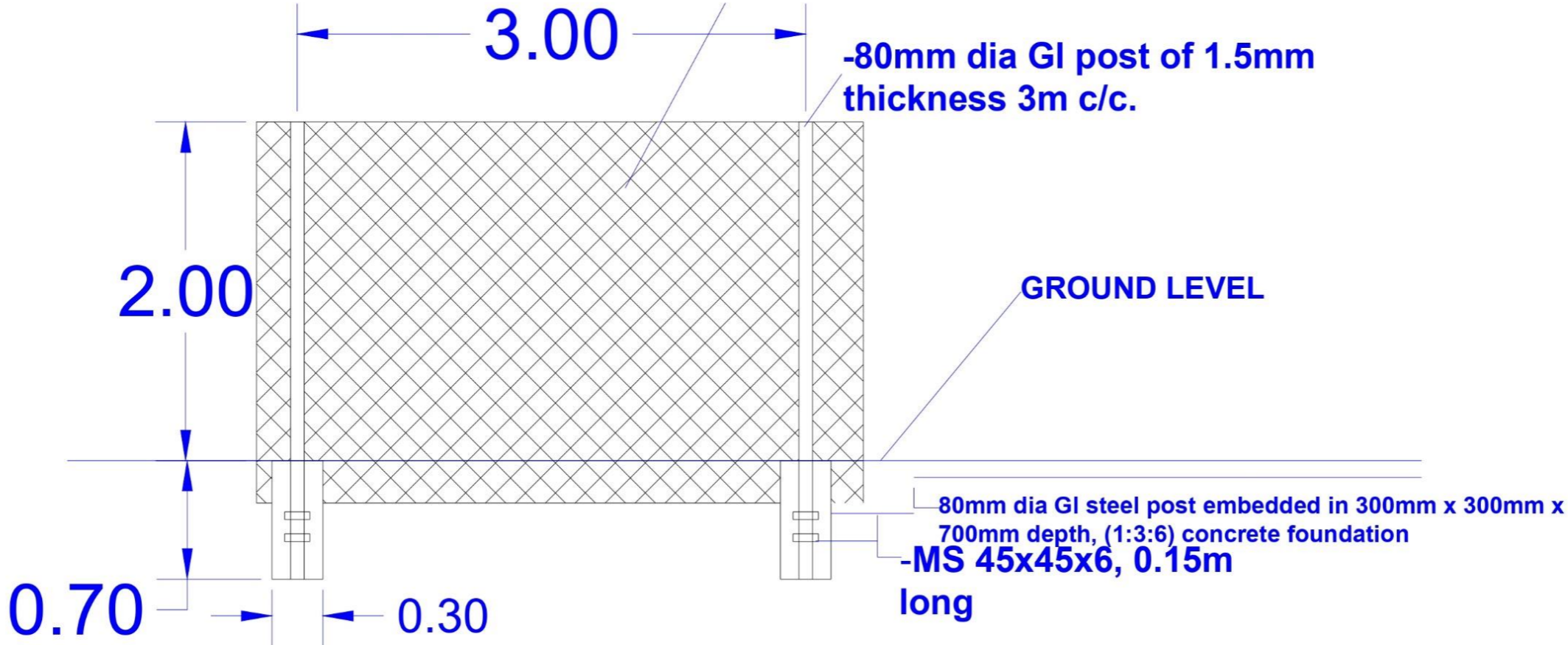
WATER PAN SECTION A-A
Scale 1:500




INTAKE CHANNEL SILL CROSS SECTION C-C
Scale 1:500

| | | | | | |
|--|--|----------------------------|--------------|--------------|---|
| PROJECT TITLE: | FUNDED BY: | DRAWING TITLE | SCALE: 1:500 | SHEET NO:3/4 | IMPLIMENTING PATNERS |
| PREVENTING WASTING IN MANDERA TRIANGLE (PWIWT) HANAANO |  An Roinn Gnóthaí Eachtracha agus Trádála Department of Foreign Affairs and Trade | WATER PAN / INTAKE SECTION | DESIGNED | MAGAN |    |
| | | | CHECKED | LO | |

Chain link galvanized fence BRC 7cm x 7cm, 1.5mm thickness minimum fastened with gauge 12 strainer wire, 1.5mm thick minimum.



View of fencing
SCALE:1:100

| | | | | | |
|--|--|-----------------|--------------|--------------|----------------------|
| PROJECT TITLE: | FUNDED BY: | DRAWING TITLE | SCALE: 1:100 | SHEET NO:4/4 | IMPLIMENTING PATNERS |
| PREVENTING WASTING IN MANDERA TRIANGLE (PWIWT) HANAANO |  An Roinn Gnóthaí Eachtracha agus Trádála Department of Foreign Affairs and Trade | FENCING SECTION | DESIGNED | MAGAN | |
| | | | CHECKED | LO | |