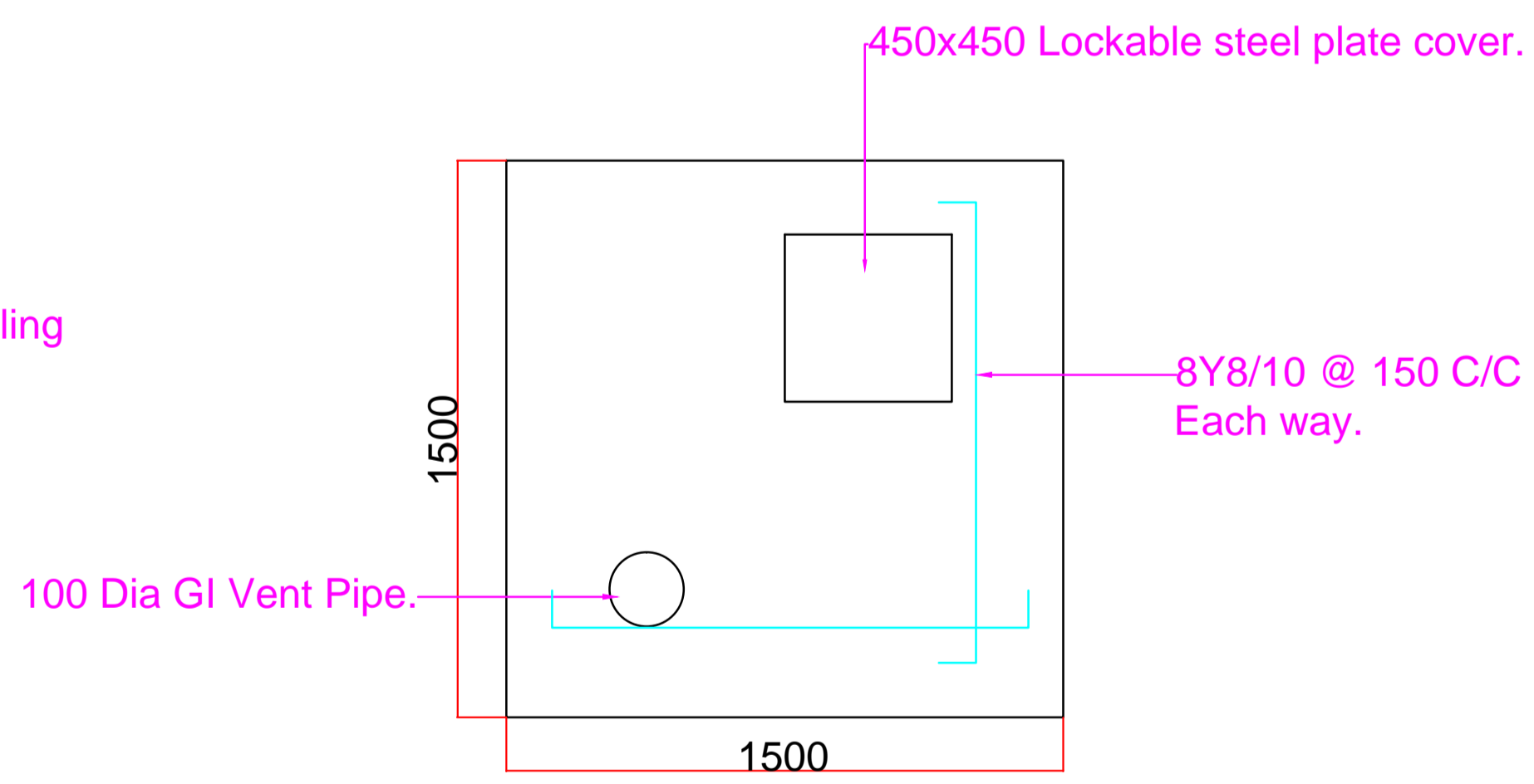
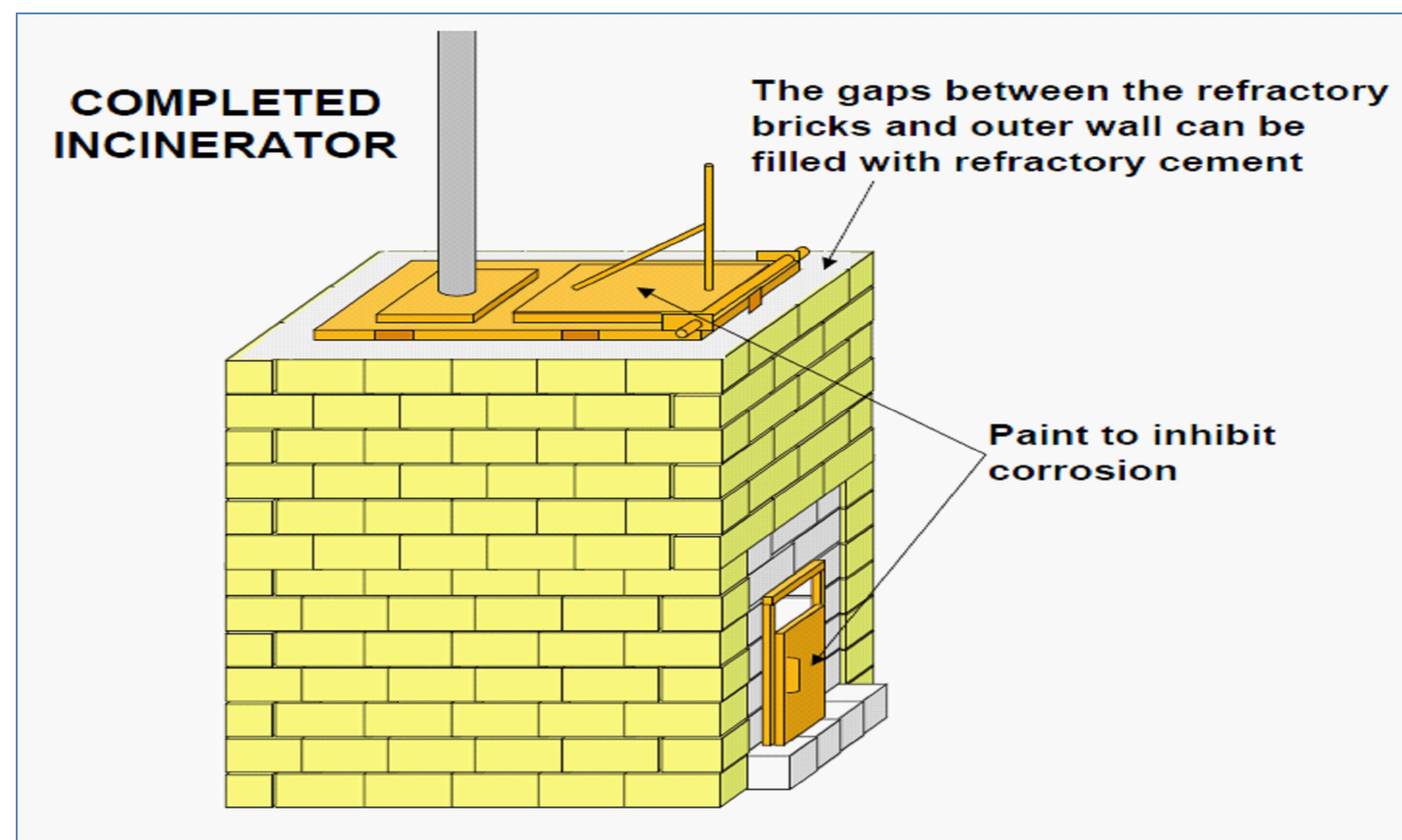
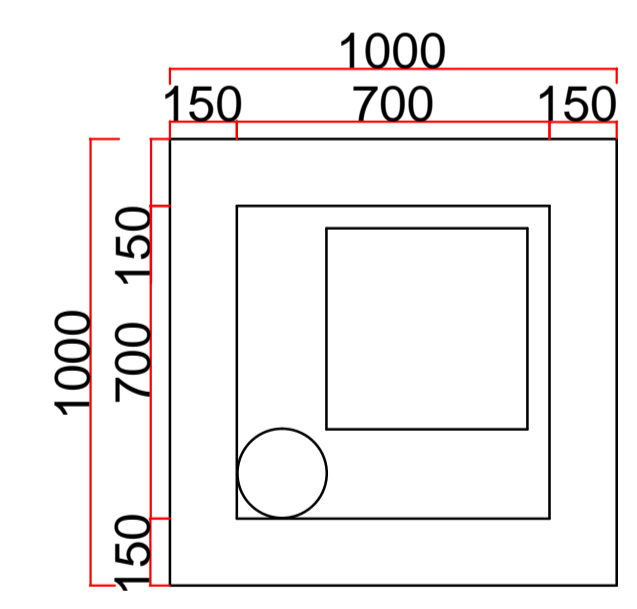


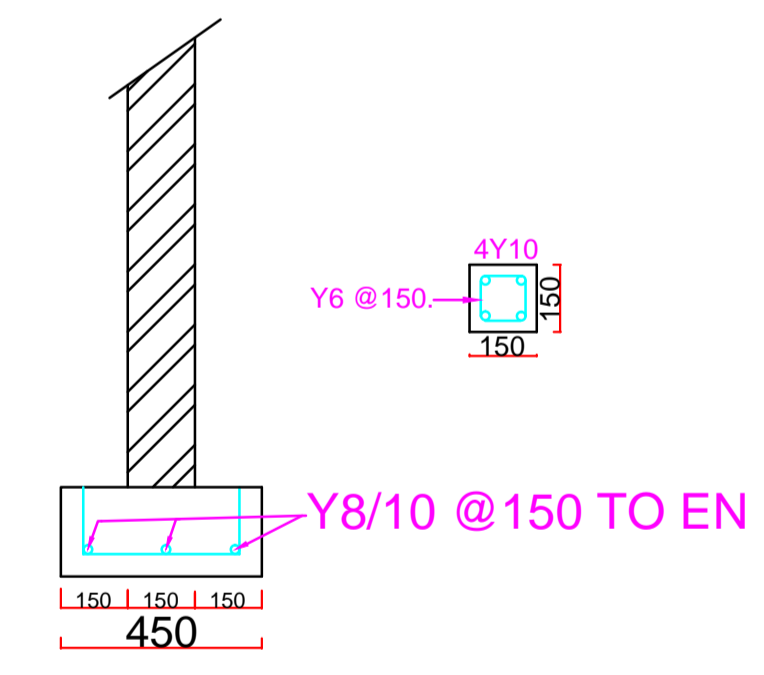
Cross sectional Details.



COVER PLAN.



PLAN.



Detail a strip Foundation.

- Notes
- All dimensions are in mm unless otherwise specified.
  - This drawing to be read in conjunction with all other relevant drawings and BoQs.
  - Drawings are not to be scaled.
  - The contractor must check and verify all dimensions on site before commencement on any work.
  - Reinforcement cover to the Slab = 50mm.
  - Ash Pit Should be constructed using a 150mm sand screed blocks.
  - All RCC Members Should be used 1:2:4 mix ratio.

Organization	Project	Location	Drawing Title	DRG. NO.	Drawn by	Yahye Ali
	BHA	Togdher, Somaliland.	Incinerator Design.	1	Reviewed by	Yahye Omer
					Approved by	Wycliffe O.owino
					Scale	As Shown
					Date	September,2024