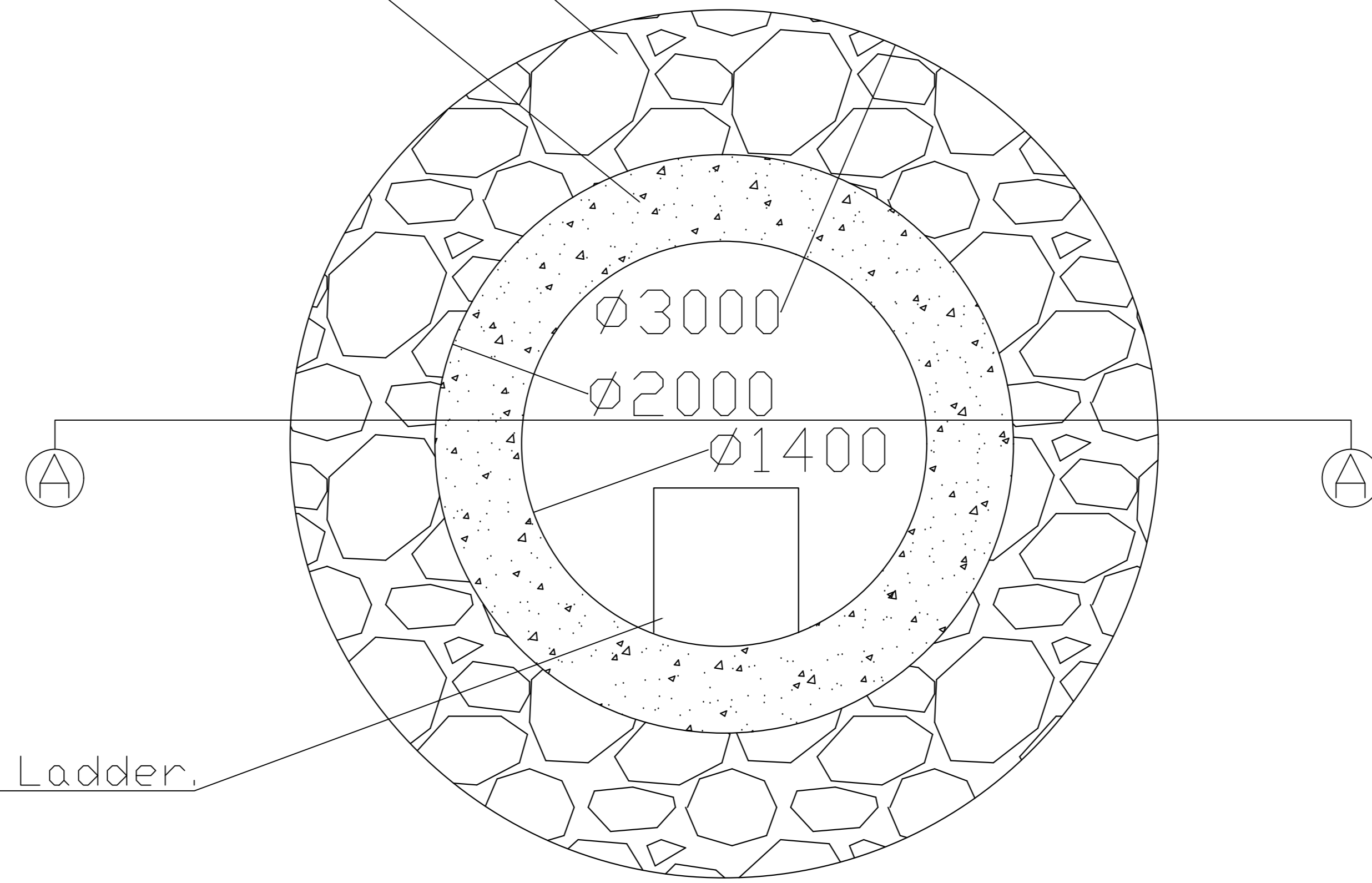


500mm thick Masonry Foundation Around RCC Rings.

100mm thick and 600mm deep RCC Well Rings.

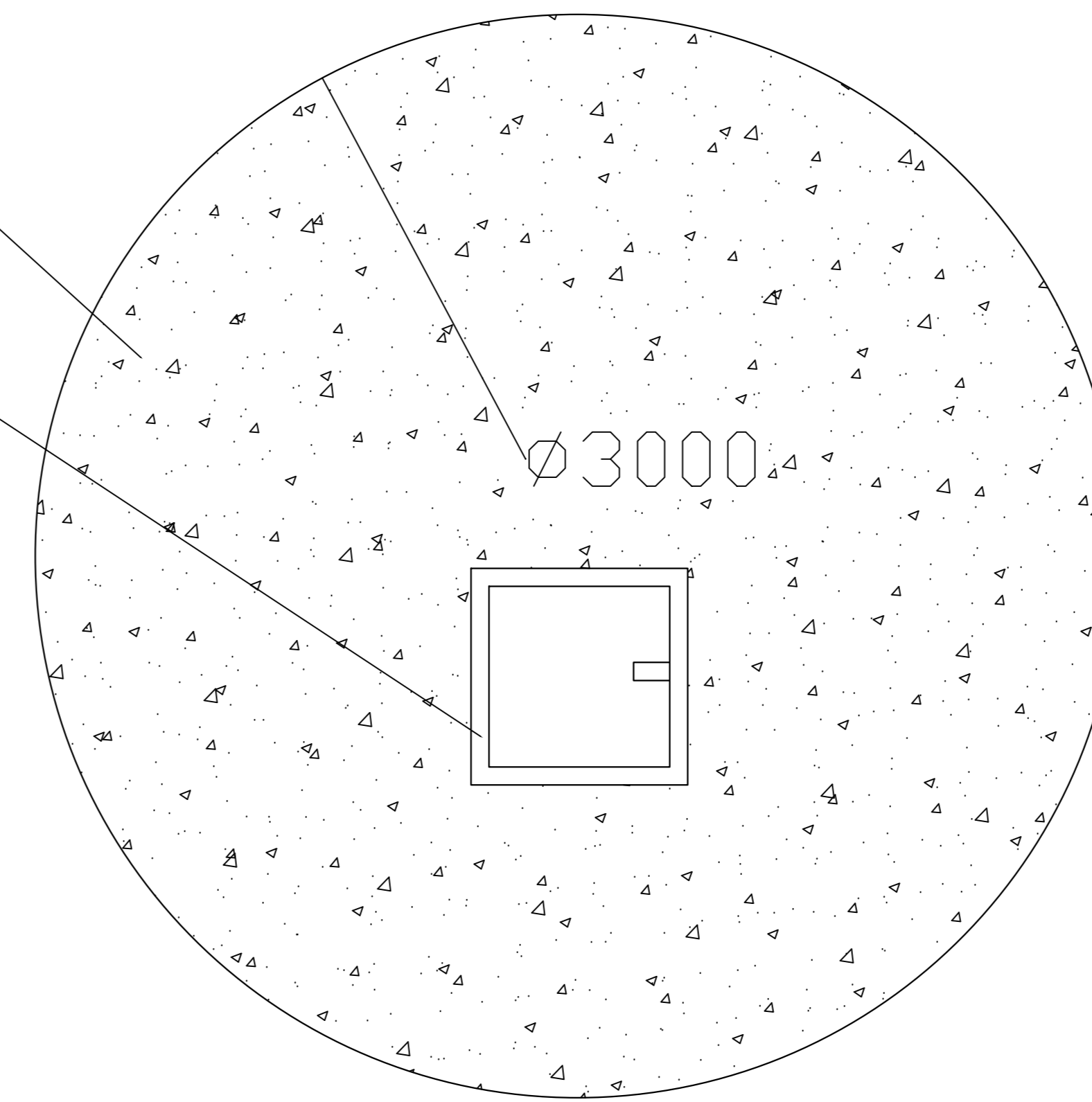
Galvanized Steel Ladder.



Cross section - Shallow well.

200mm Thick RCC Slab.

Encasted 8mm thick Tall sheet Manhole with 4x4cm angular bars on sides.



Top View - Shallow well.

Notes

1. All dimensions are in mm unless otherwise stated.
2. Concrete Ratio for Slab and Ring should be 1:2:4 while masonry mortar is to be used 1:3.
3. Contractor should check and verify all dimension before any work is done.

Organization

Project

Location

Drawing Title

DRG. NO.

Drawn by

Mohamed Duallah

Reviewed by

Yahye Omer

Approved by

Wycliffe Owino

Scale

As Shown

Date

November, 2024

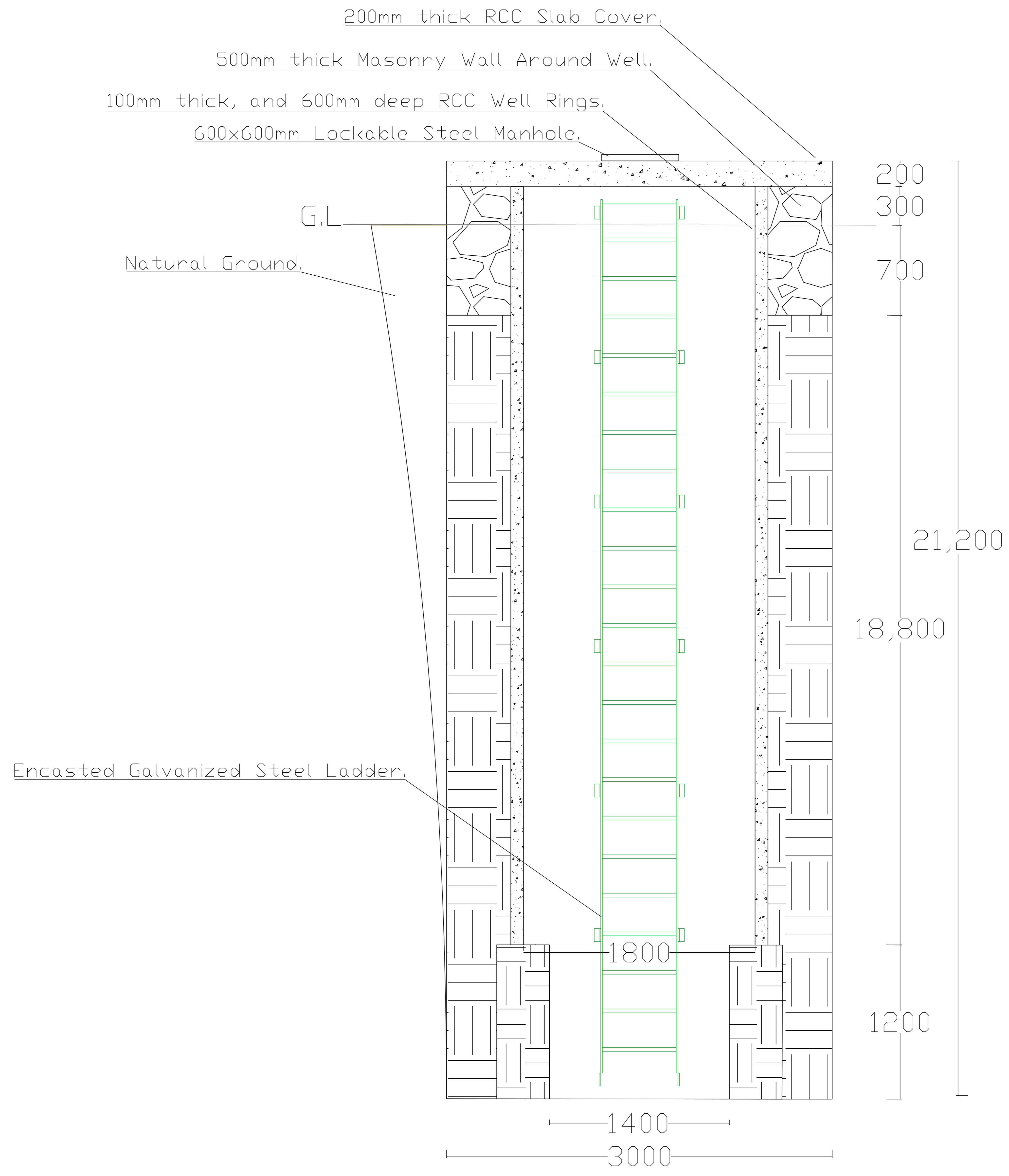


ARP

Celsame,
Dadmahedh.

Shallow Well - Cross
Section and Top View.

1

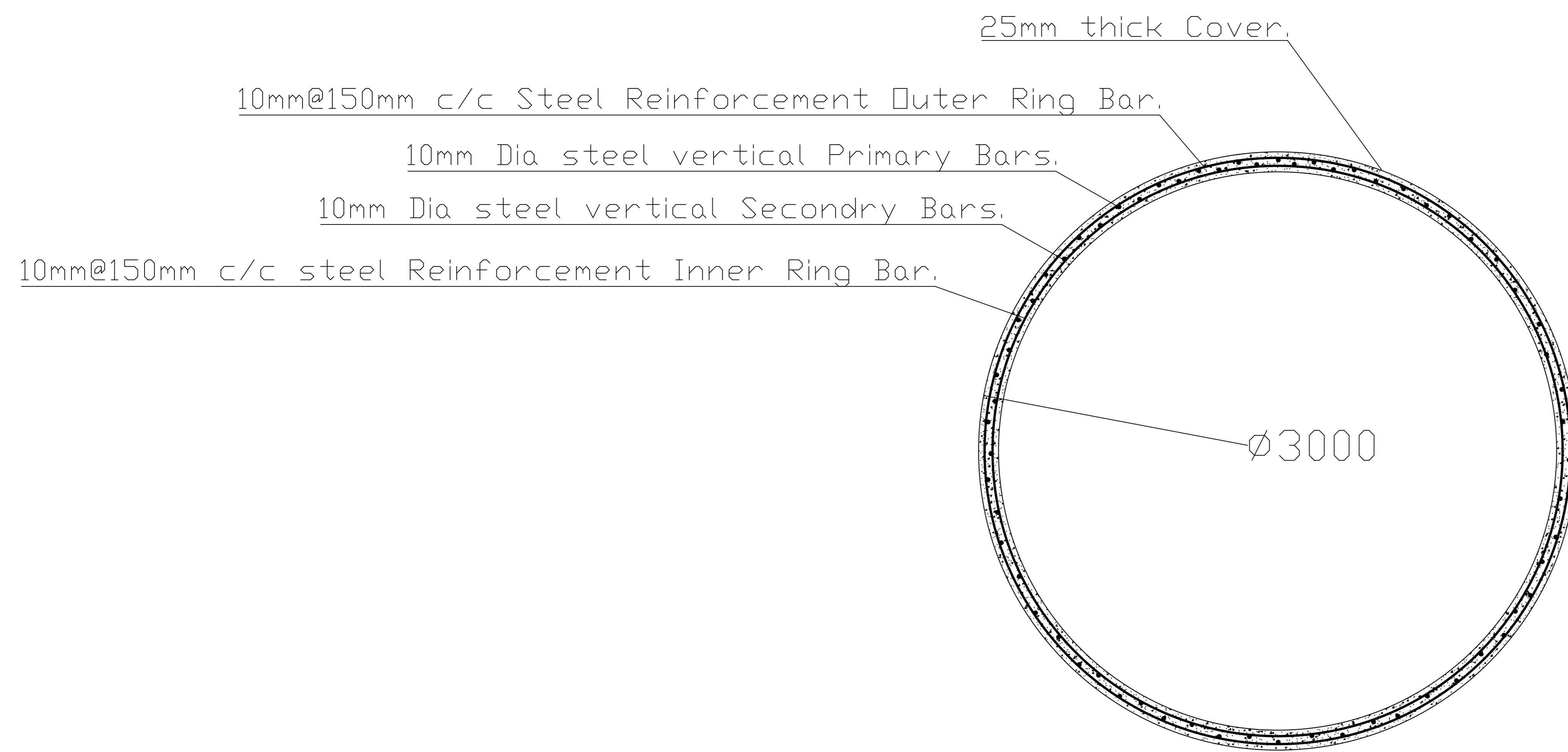


Vertical section A-A - Shallow well.

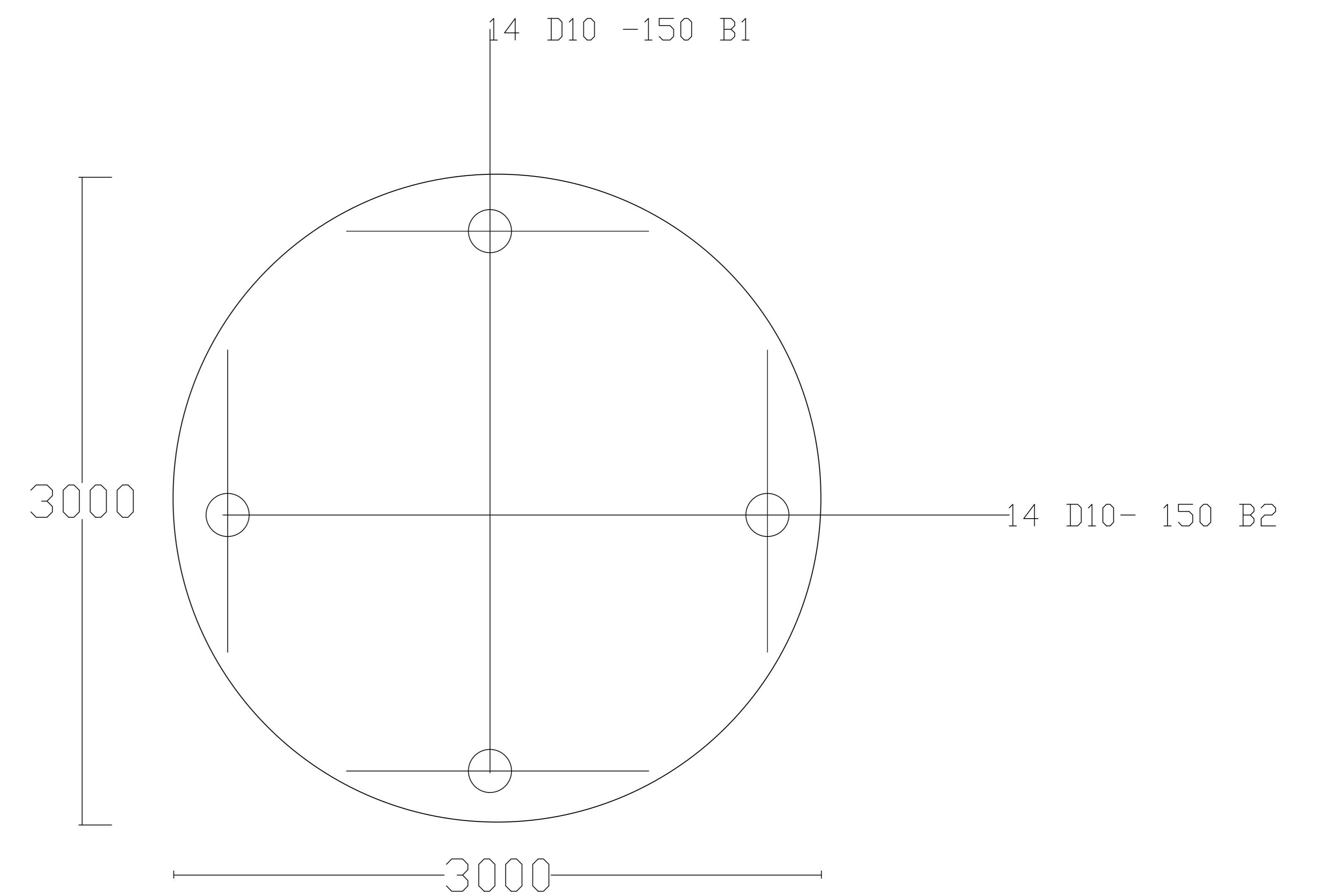
Notes

1. All dimensions are in mm unless otherwise stated.
2. Concrete Ratio for Slab and Ring should be 1:2:4 while masonry mortar is to be used 1:3.
3. Contractor should check and verify all dimension before any work is done.

Organization	Project	Location	Drawing Title	DRG. NO.	Drawn by	Mohamed Duallah
World Vision	ARP	Celsame, Dadmahedh.	Shallow Well - Section	2	Reviewed by	Yahye Omer
					Approved by	Wycliffe Owino
					Scale	As Shown
					Date	November, 2024

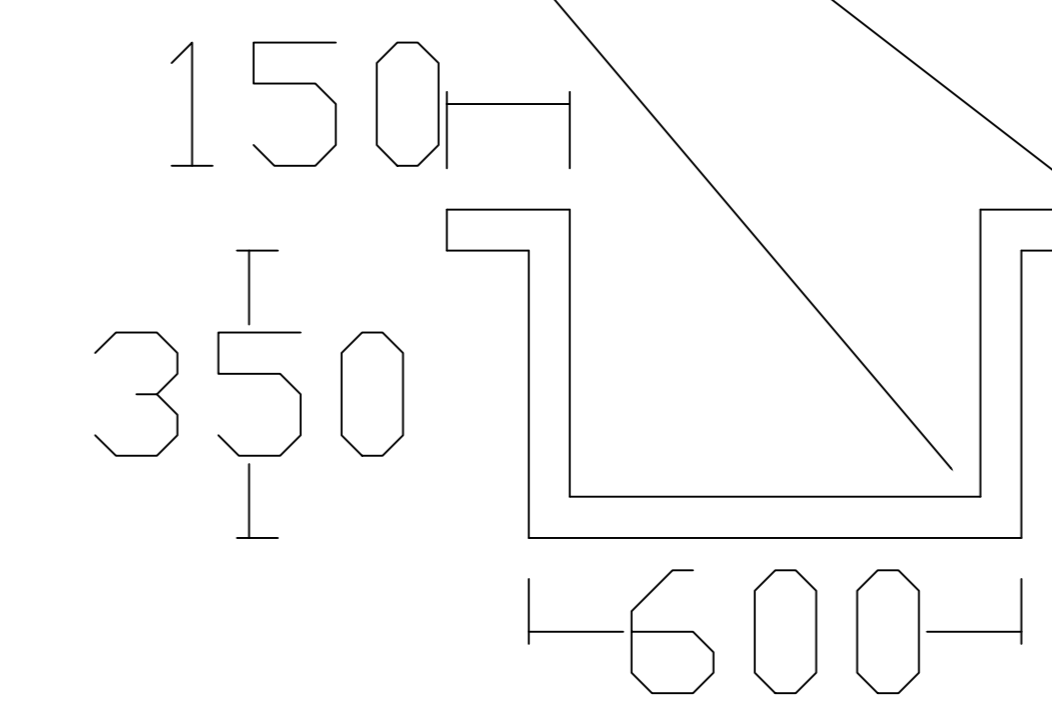


Cross section - Well Rings.



Cover Slab Reinforcement Details.

Encasted part of Ladder.
500x400mm Galvanized SHS @500mm Vertically Spaced.



Galvanized SHS Interior Ladder.

Notes

1. All dimensions are in mm unless otherwise stated.
2. Concrete Ratio for Slab and Ring should be 1:2:4 while masonry mortar is to be used 1:3.
3. Contractor should check and verify all dimension before any work is done.

Organization

Project

Location

Drawing Title

DRG. NO.

Drawn by

Mohamed Duallah

Reviewed by

Yahye Omer

Approved by

Wycliffe Owino

Scale

As Shown

Date

November, 2024



ARP

Celsame,
Dadmadhedh.

Shallow Well - Ladder,
Slab and Rings Details.

3